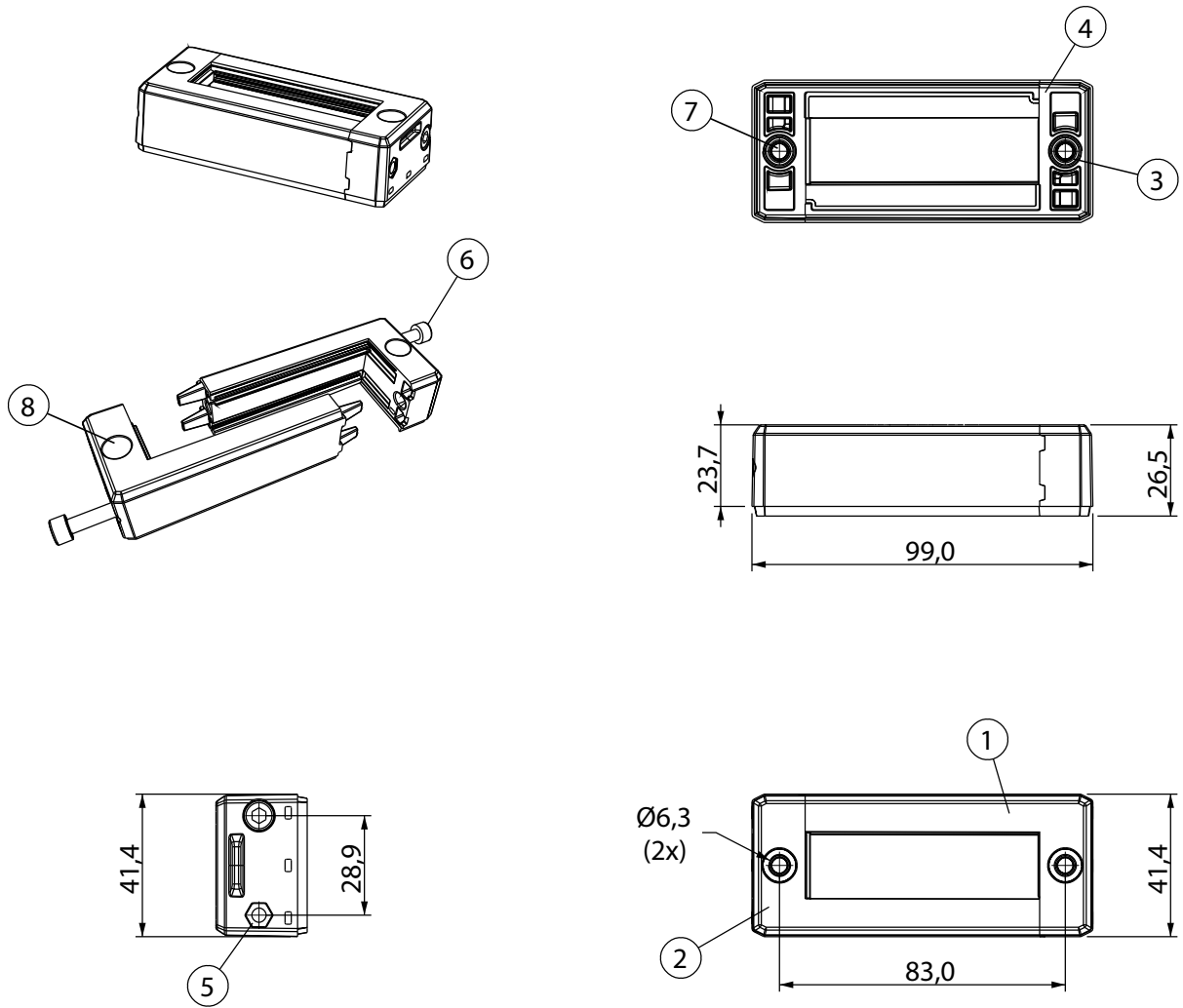


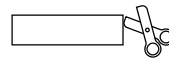
REVISIONS			
REV	DESCRIPTION	DATE	BY



Id	Description	Material	Q.ty
1	Top	PP + GF	1
2	Bottom	PP + GF	1
3	Gasket Top	TPE	1
4	Gasket Bottom	TPE	1
5	Nut	SS304	2
6	Screw Hex M5x0,8	SS304	2
7	M4 insert	Brass	2
8	Caps	PP	2

Flammability: UL94-V0, self-extinguishing
Temperature: -40°C ... +155°C
Properties: halogen-free, silicone-free

Recommended cut-out:
63 x 18 mm



IP66

NEMA 4X

NEMA 12



UL94-V0



IK10



TITLE **SPLIT FRAMES FOR CABLES**

MATERIAL **SEE ABOVE**

DATE **22/03/2024**

COLOR **BLACK**

DRAWN **E.B.**

PART NUMBER **18999FG01**

DRAWING NUMBER **24/03/22.18999.E**

CHECK

SIZE **A4**

SCALE **1:2**

UNIT **mm.**

REV **A**

UNLESS OTHERWISE SPECIFIED TOLERANCE **SEE ABOVE**

APPROVED