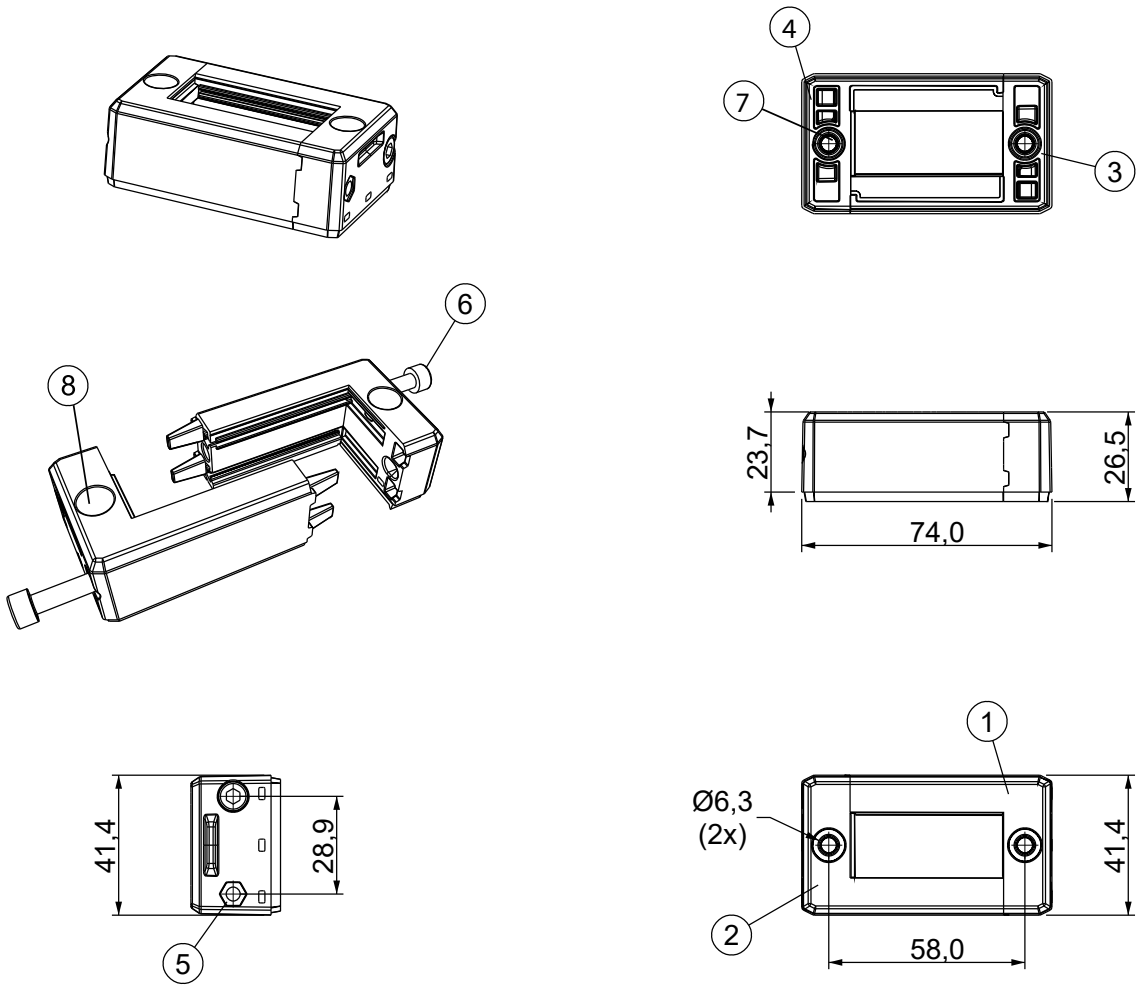


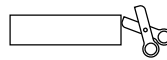
REVISIONS			
REV	DESCRIPTION	DATE	BY



Id	Description	Material	Q.ty
1	Top	PP + GF	1
2	Bottom	PP + GF	1
3	Gasket Top	TPE	1
4	Gasket Bottom	TPE	1
5	Nut	SS304	2
6	Screw Hex M5x0,8	SS304	2
7	M4 insert	Brass	2
8	Caps	PP	2

Flammability: UL94-V0, self-extinguishing
Temperature: -40°C ... +155°C
Properties: halogen-free, silicone-free

Recommended cut-out:
40 x 18 mm



IP66

NEMA 4X

NEMA 12



UL94-V0



RoHS COMPLIANT

IK10



TITLE
SPLIT FRAMES FOR CABLES

MATERIAL
SEE ABOVE

DATE
22/03/2024

COLOR
BLACK

DRAWN
E.B.

PART NUMBER
18998FG01

DRAWING NUMBER
24/03/22.18998.E

CHECK

SIZE
A4

SCALE
1:2

UNIT
mm.

REV
A

UNLESS OTHERWISE SPECIFIED
TOLERANCE
SEE ABOVE

APPROVED