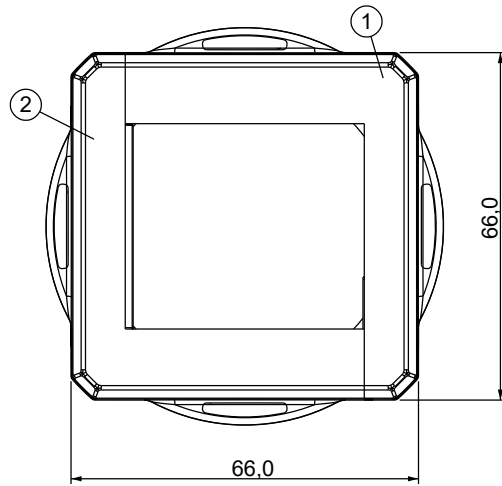
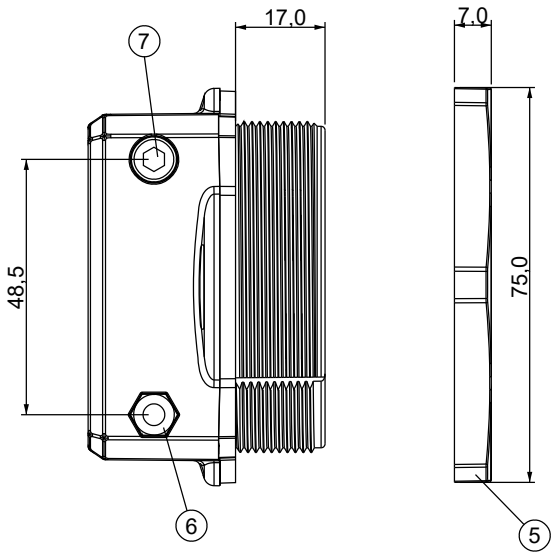
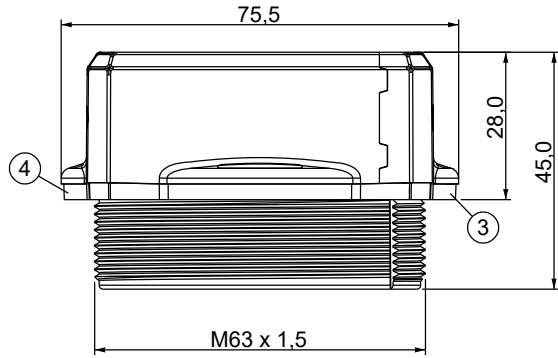
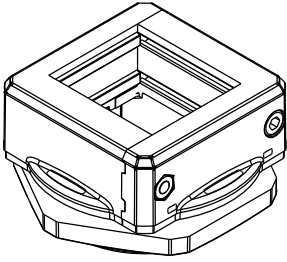


REVISIONS			
REV	DESCRIPTION	DATE	BY



Id	Description	Material	Q.ty
1	Top	PP + GF	1
2	Bottom	PP + GF	1
3	Gasket Top	TPE	1
4	Gasket Bottom	TPE	1
5	Locknut	PA	1
6	Nut	SS304	2
7	Screw Hex M5 L=60	SS304	2



Flammability: UL94-V0, self-extinguishing
Temperature: -40°C ... +155°C
Properties: halogen-free, silicone-free

Recommended cut-out: Ø 63.5 mm 	 EN 45545-2	IP66	UL TYPE 12, 4X	NEMA 12, 4X	
	ECOLAB	 UL94-V0	 ISO 4892-2A	RoHS COMPLIANT	IK10

		TITLE SPLIT FRAMES FOR CABLES			
		MATERIAL SEE ABOVE		DATE 22/03/2024	
PART NUMBER 18997FG01		DRAWING NUMBER 24/03/22.18997.E		COLOR BLACK	
SIZE A4		SCALE 1:2		CHECK E.B.	
UNIT mm.		REV A		UNLESS OTHERWISE SPECIFIED TOLERANCE SEE ABOVE	
APPROVED				APPROVED	