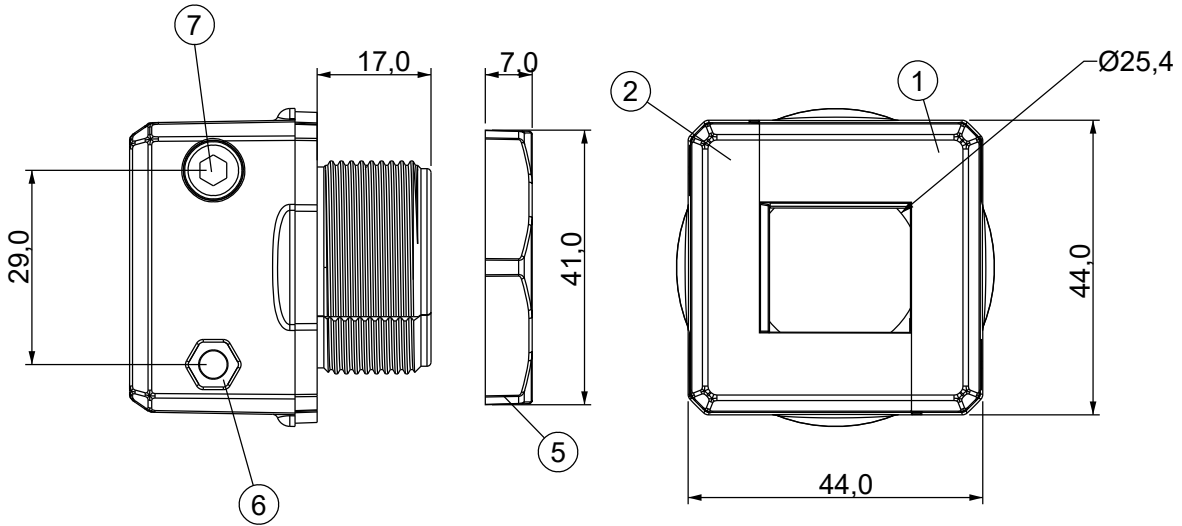
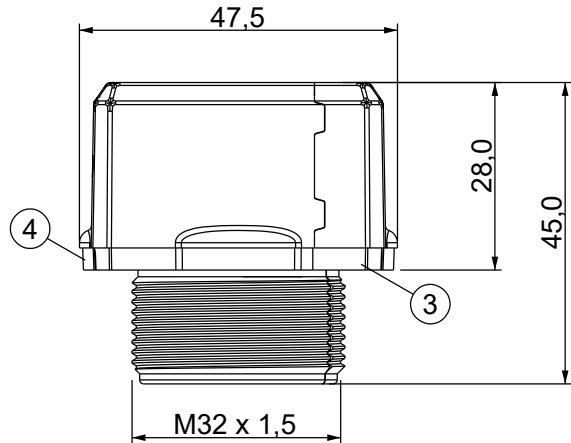
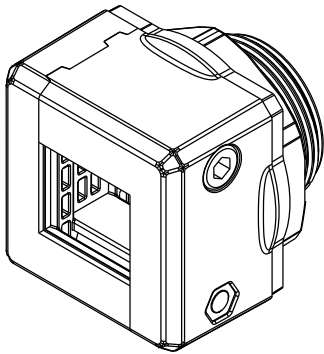


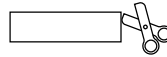
REVISIONS			
REV	DESCRIPTION	DATE	BY



Id	Description	Material	Q.ty
1	Top	PP + GF	1
2	Bottom	PP + GF	1
3	Gasket Top	TPE	1
4	Gasket Bottom	TPE	1
5	Locknut	PA	1
6	Nut	SS304	2
7	Screw Hex M5 L=38	SS304	2

Flammability: UL94-V0, self-extinguishing
Temperature: -40°C ... +155°C
Properties: halogen-free, silicone-free

Recommended cut-out:
 Ø 32.5 mm



	IP66	UL TYPE 12, 4X	NEMA 12, 4X		
ECOLAB			RoHS COMPLIANT		IK10



TITLE			
SPLIT FRAMES FOR CABLES			
MATERIAL		DATE	
SEE ABOVE		22/03/2024	
DRAWN		E.B.	
PART NUMBER		CHECK	
18996FG01			
DRAWING NUMBER		APPROVED	
24/03/22.18996.E			
COLOR		UNLESS OTHERWISE SPECIFIED TOLERANCE	
BLACK		SEE ABOVE	
SIZE	SCALE	UNIT	REV
A4	1:2	mm.	A