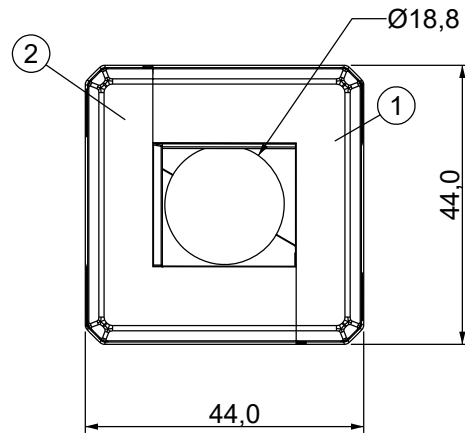
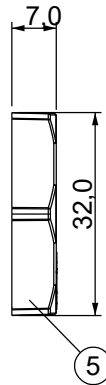
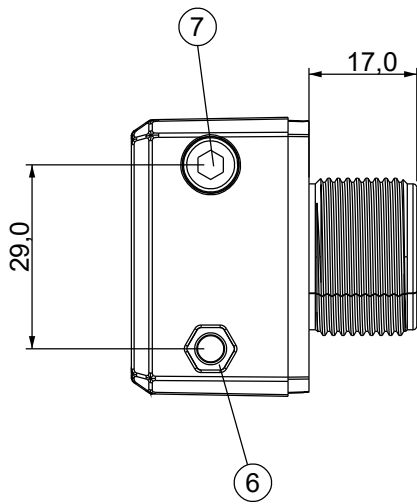
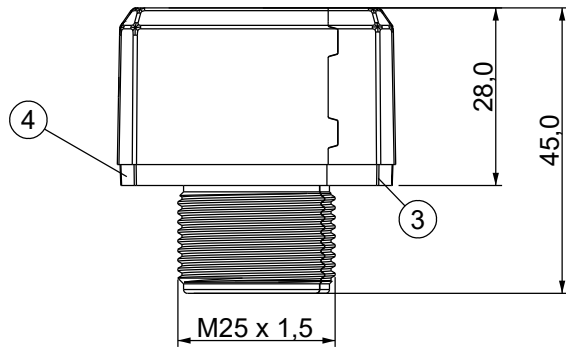
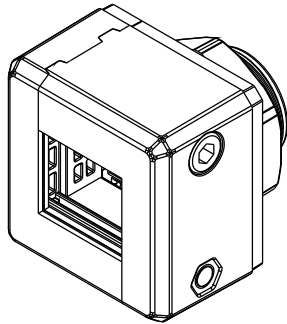


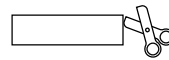
REVISIONS			
REV	DESCRIPTION	DATE	BY



Id	Description	Material	Q.ty
1	Top	PP + GF	1
2	Bottom	PP + GF	1
3	Gasket Top	TPE	1
4	Gasket Bottom	TPE	1
5	Locknut	PA	1
6	Nut	SS304	2
7	Screw Hex M5 L=38	SS304	2

**Flammability:** UL94-V0, self-extinguishing  
**Temperature:** -40°C ... +155°C  
**Properties:** halogen-free, silicone-free

Recommended cut-out:  
 Ø 25.5 mm



**IP66**

**UL TYPE 12, 4X**

**NEMA 12, 4X**



**UL94-V0**



**RoHS COMPLIANT**

**IK10**



TITLE **SPLIT FRAMES FOR CABLES**

MATERIAL **SEE ABOVE**

DATE **22/03/2024**

COLOR **BLACK**

DRAWN **E.B.**

PART NUMBER **18995FG01**

DRAWING NUMBER **24/03/22.18995.E**

CHECK

SIZE **A4**

SCALE **1:2**

UNIT **mm.**

REV **A**

UNLESS OTHERWISE SPECIFIED TOLERANCE **SEE ABOVE**

APPROVED