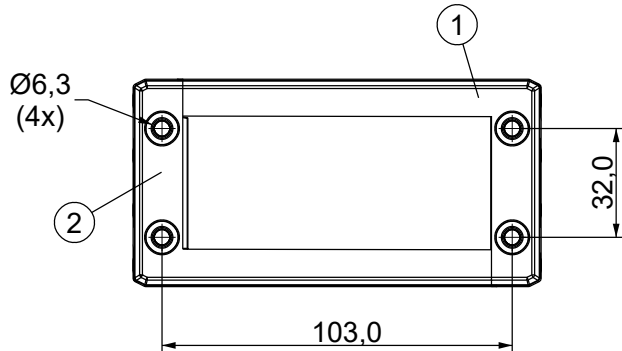
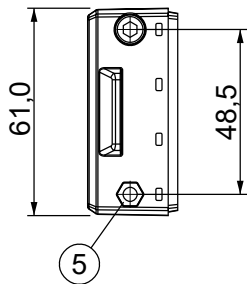
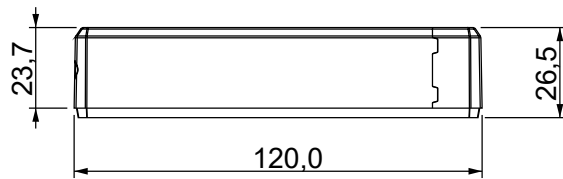
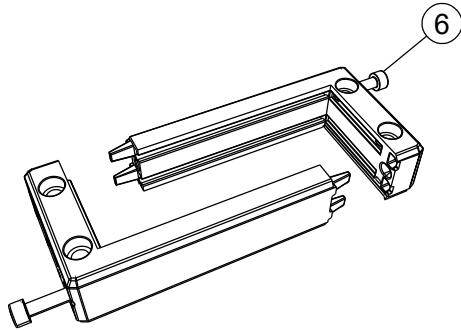
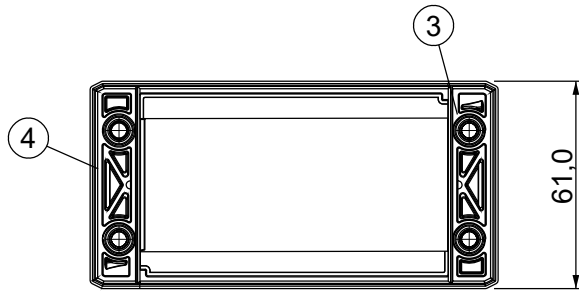
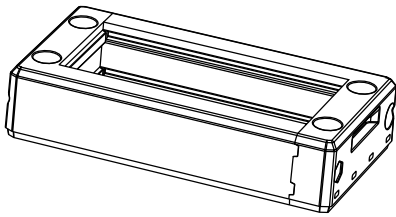
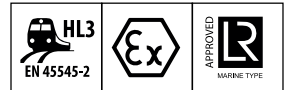


| REVISIONS | | | |
|-----------|-------------|------|----|
| REV | DESCRIPTION | DATE | BY |
| | | | |
| | | | |



| Id | Description | Material | Q.ty |
|----|------------------------|----------|------|
| 1 | Top | PP + GF | 1 |
| 2 | Bottom | PP + GF | 1 |
| 3 | Gasket Top | TPE | 1 |
| 4 | Gasket Bottom | TPE | 1 |
| 5 | Nut | SS304 | 2 |
| 6 | Screw Hex M5x0.8 L=114 | SS304 | 2 |



Flammability: UL94-V0, self-extinguishing
Temperature: -40°C ... +155°C
Properties: halogen-free, silicone-free

Recommended cut-out:
86 x 39 mm



| | | | | |
|--------|---------|----------------|----------------|-------|
| CE | IP66 | NEMA 12 | NEMA 4X | UL US |
| ECOLAB | UL94-V0 | UV ISO 4892-2A | RoHS COMPLIANT | IK10 |



TITLE
DIVISIBLE CABLE ENTRY SYSTEM

MATERIAL
SEE ABOVE

DATE
22/03/2024

DRAWN
E.B.

PART NUMBER
18993FG01

DRAWING NUMBER
24/03/22.18993.E

COLOR
BLACK

CHECK

SIZE
A4

SCALE
1:2

UNIT
mm.

REV
A

UNLESS OTHERWISE SPECIFIED
TOLERANCE
SEE ABOVE

APPROVED