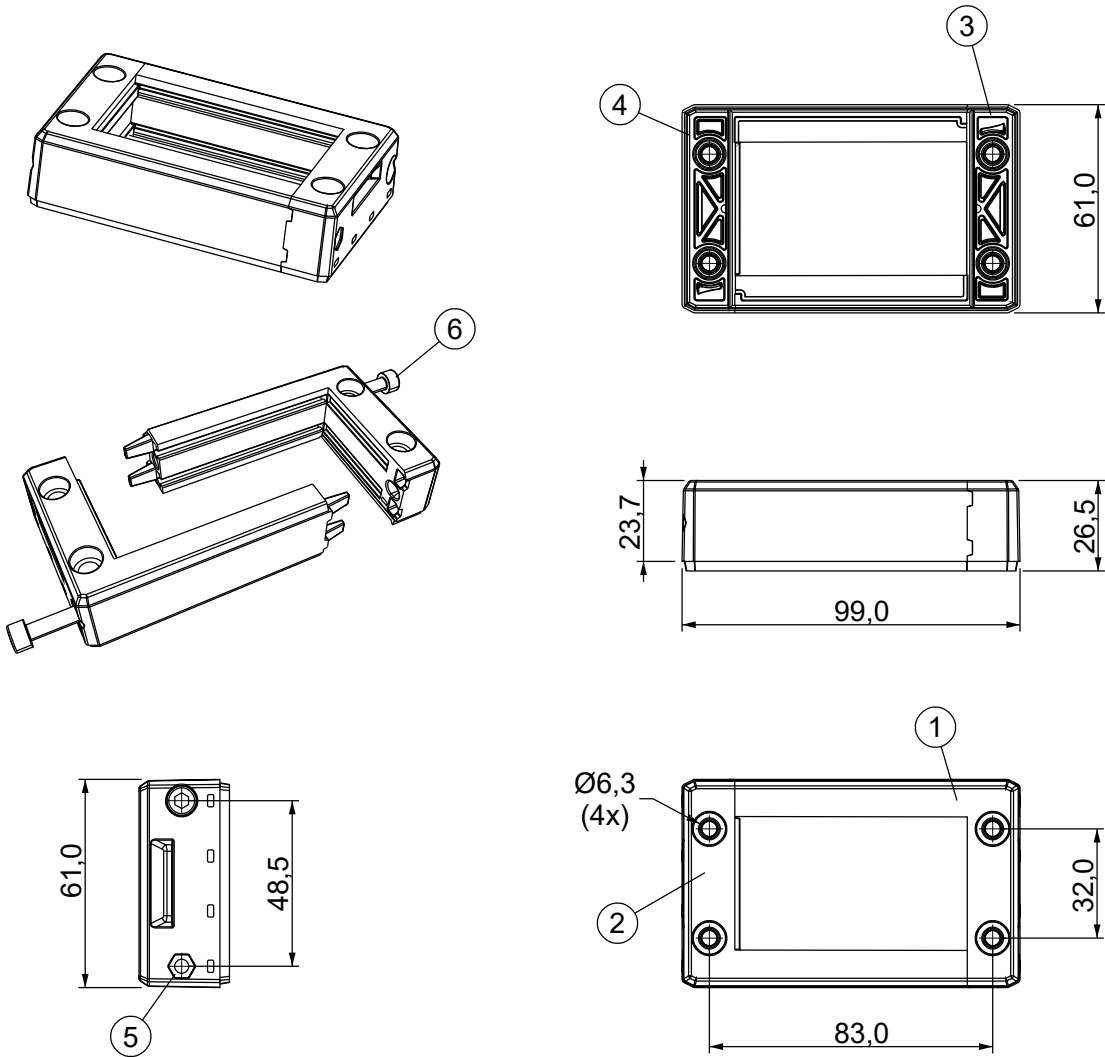


REVISIONS			
REV	DESCRIPTION	DATE	BY



Id	Description	Material	Q.ty
1	Top	PP + GF	1
2	Bottom	PP + GF	1
3	Gasket Top	TPE	1
4	Gasket Bottom	TPE	1
5	Nut	SS304	2
6	Screw Hex M5x0.8 L=93	SS304	2

Flammability: UL94-V0, self-extinguishing
Temperature: -40°C ... +155°C
Properties: halogen-free, silicone-free

Recommended cut-out:
63x 39 mm

--	--	--

		TITLE DIVISIBLE CABLE ENTRY SYSTEM	
		MATERIAL SEE ABOVE	DATE 22/03/2024
PART NUMBER 18992FG01		DRAWING NUMBER 24/03/22.18992.E	DRAWN E.B.
SIZE A4		SCALE 1:2	CHECK
UNIT mm.	REV A	COLOR BLACK	APPROVED
UNLESS OTHERWISE SPECIFIED TOLERANCE SEE ABOVE			