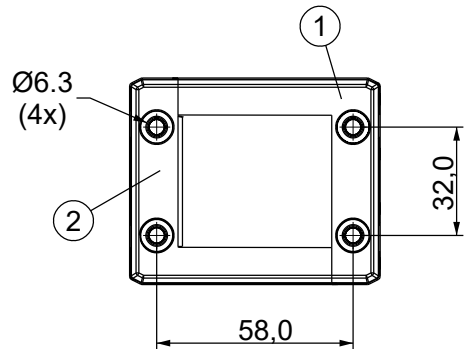
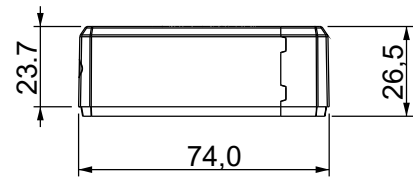
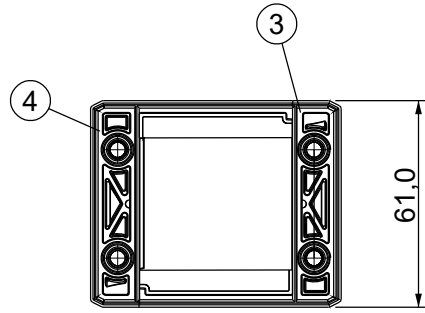
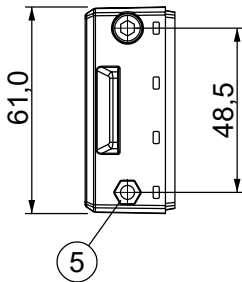
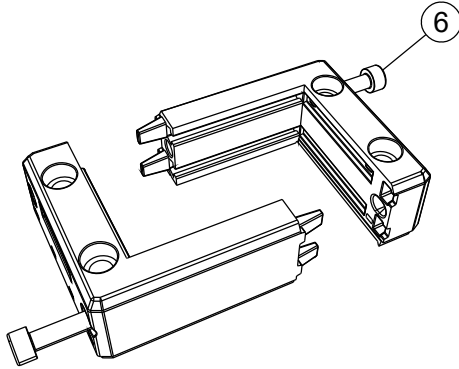
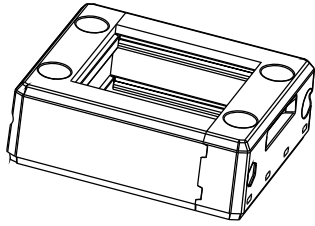
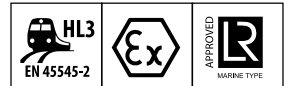


REVISIONS			
REV	DESCRIPTION	DATE	BY

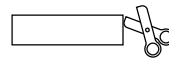


Id	Description	Material	Q.ty
1	Top	PP + GF	1
2	Bottom	PP + GF	1
3	Gasket Top	TPE	1
4	Gasket Bottom	TPE	1
5	Nut	SS304	2
6	Screw Hex M5x0.8 L=68	SS304	2



Flammability: UL94-V0, self-extinguishing
Temperature: -40°C ... +155°C
Properties: halogen-free, silicone-free

Recommended cut-out:
40 x 39 mm



CE	IP66	NEMA 12	NEMA 4X	UL US
ECOLAB	UL94-V0	UV ISO 4892-2A	RoHS COMPLIANT	IK10



TITLE
DIVISIBLE CABLE ENTRY SYSTEM

MATERIAL
SEE ABOVE

DATE
22/03/2024

DRAWN
E.B.

PART NUMBER
18991FG01

DRAWING NUMBER
24/03/22.18991.E

COLOR
BLACK

CHECK

SIZE
A4

SCALE
1:2

UNIT
mm.

REV
A

UNLESS OTHERWISE SPECIFIED
TOLERANCE
SEE ABOVE

APPROVED