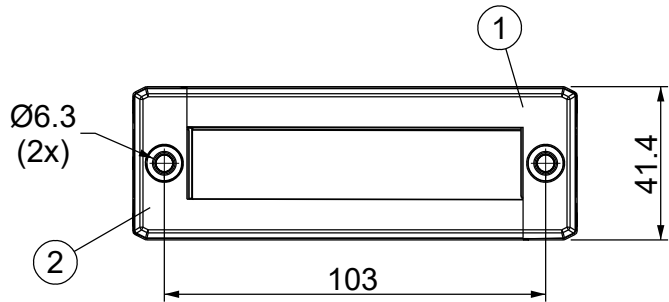
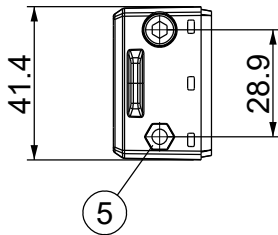
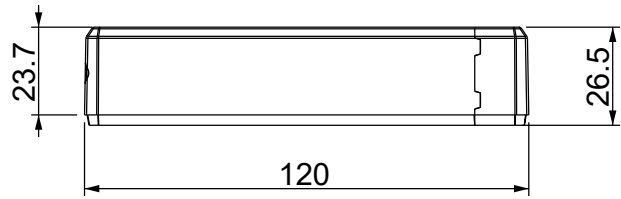
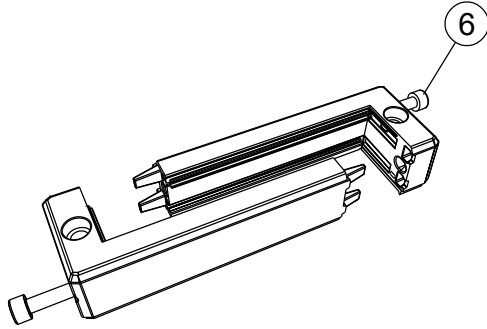
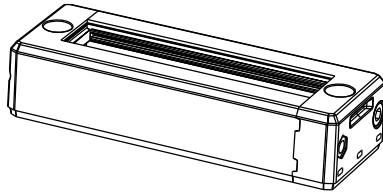


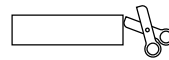
REVISIONS			
REV	DESCRIPTION	DATE	BY



Id	Description	Material	Q.ty
1	Top	PP + GF	1
2	Bottom	PP + GF	1
3	Gasket Top	TPE	1
4	Gasket Bottom	TPE	1
5	Nut	SS304	2
6	Screw Hex M5x0.8 L=114	SS304	2

**Flammability:** UL94-V0, self-extinguishing  
**Temperature:** -40°C ... +155°C  
**Properties:** halogen-free, silicone-free

Recommended cut-out:  
86 x 18 mm




--	--	--



TITLE			
<b>DIVISIBLE CABLE ENTRY SYSTEM</b>			
MATERIAL		DATE	
SEE ABOVE		22/03/2024	
DRAWN		E.B.	
PART NUMBER		CHECK	
18989FG01			
DRAWING NUMBER		UNLESS OTHERWISE SPECIFIED TOLERANCE	
24/03/22.18989.E		SEE ABOVE	
SIZE	SCALE	UNIT	REV
A4	1:2	mm.	A
APPROVED			