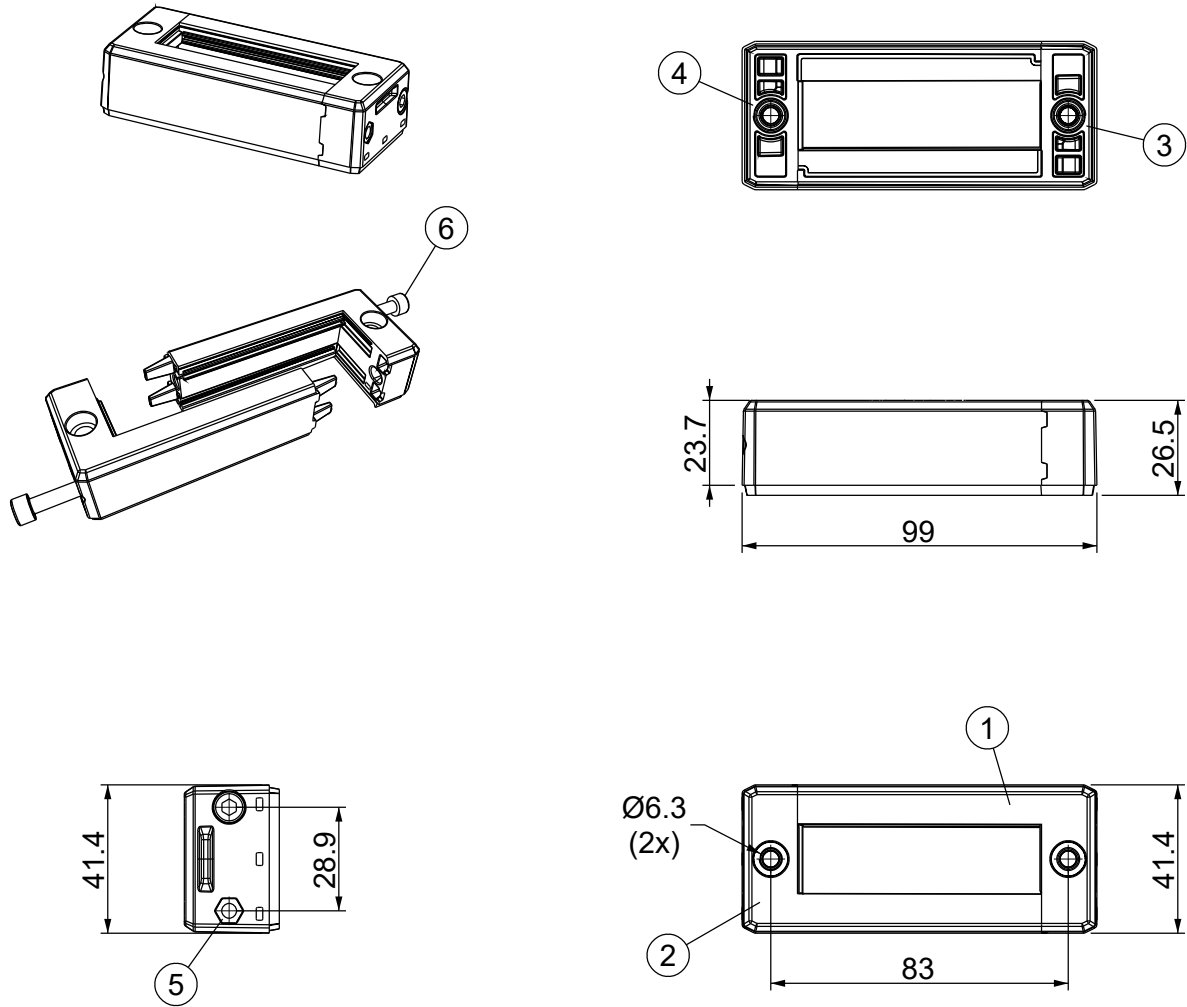


REVISIONS			
REV	DESCRIPTION	DATE	BY



Id	Description	Material	Q.ty
1	Top	PP + GF	1
2	Bottom	PP + GF	1
3	Gasket Top	TPE	1
4	Gasket Bottom	TPE	1
5	Nut	SS304	2
6	Screw Hex M5x0.8 L=93	SS304	2

**Flammability:** UL94-V0, self-extinguishing  
**Temperature:** -40°C ... +155°C  
**Properties:** halogen-free, silicone-free

Recommended cut-out:  
 63 x 18 mm


--	--	--

		TITLE <b>DIVISIBLE CABLE ENTRY SYSTEM</b>	
		MATERIAL SEE ABOVE	DATE 22/03/2024
PART NUMBER 18988FG01		DRAWING NUMBER 24/03/22.18988.E	COLOR BLACK
SIZE A4	SCALE 1:2	UNIT mm.	REV A
UNLESS OTHERWISE SPECIFIED TOLERANCE SEE ABOVE		APPROVED	