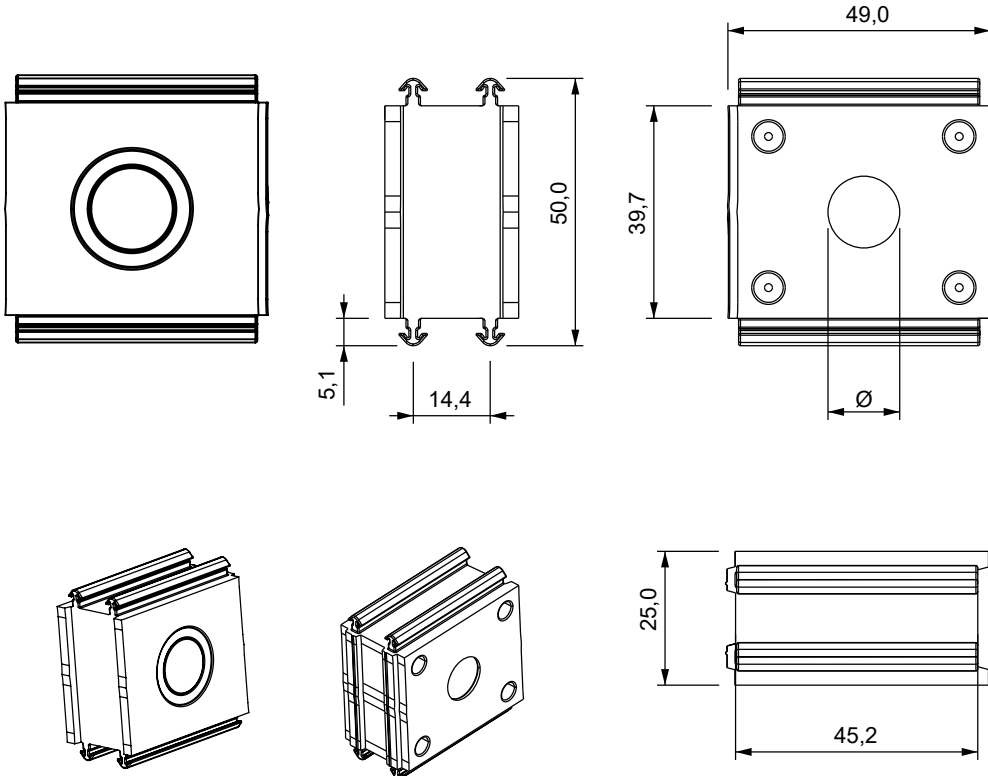
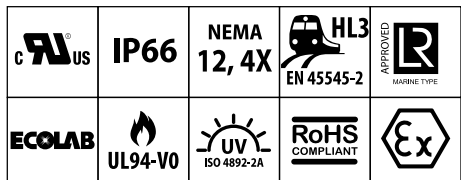


REVISIONS			
REV	DESCRIPTION	DATE	BY



P/N	CABLE Ø	COLOUR
18959PS11	16,0 - 22,0 mm	GREY
18960PS11	23,0 - 26,0 mm	GREY
18961PS11	26,0 - 30,0 mm	GREY
18962PS01	16,0 - 22,0 mm	BLACK
18963PS01	23,0 - 26,0 mm	BLACK
18964PS01	26,0 - 30,0 mm	BLACK

FLAMMABILITY: UL94-V0, SELF-EXTINGUISHING
WORKING TEMPERATURE: -40°C ~+110°C
PROPERTIES: HALOGEN-FREE, SILICONE-FREE



		TITLE INSERTS	
		MATERIAL TPE	DATE 20/03/2024
PART NUMBER 189XXPS		DRAWN E.B.	
DRAWING NUMBER 24/03/20.18959.E		CHECK	
SIZE A4	SCALE 1:2	UNIT mm.	REV A
COLOR SEE TABLE		UNLESS OTHERWISE SPECIFIED TOLERANCE SEE ABOVE	
APPROVED			