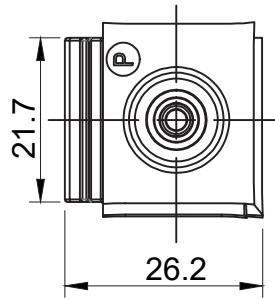
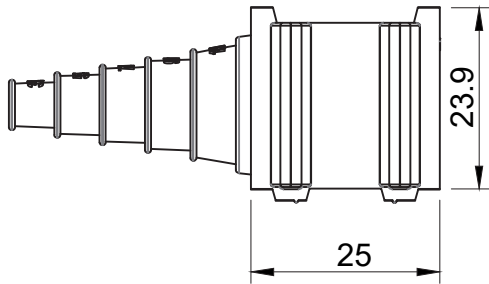
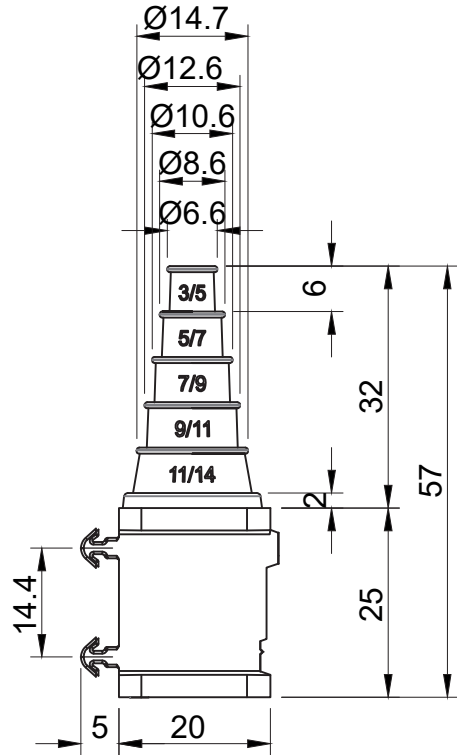
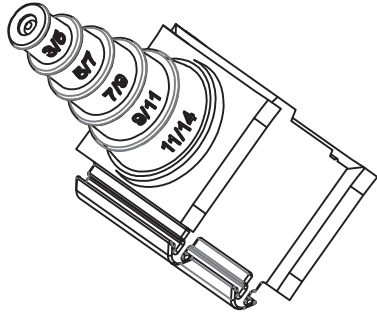


REVISIONS			
REV	DESCRIPTION	DATE	BY



FLAMMABILITY: UL94-V0, SELF-EXTINGUISHING
WORKING TEMPERATURE: -40°C ~ +110°C
PROPERTIES: HALOGEN-FREE, SILICONE-FREE
CABLE Ø: 3,0 - 14,0 mm

ECOLAB	IP66	NEMA 12, 4X	HL3 EN 45545-2	APPROVED MARINE TYPE
	UL TYPE 12, 4X	UV ISO 4892-2A	RoHS COMPLIANT	Ex

		TITLE CABLE GROMMET	
		MATERIAL TPE	DATE 21/03/2024
PART NUMBER 18953PS01		DRAWING NUMBER 24/03/21.18953.E	
SIZE A4		COLOR BLACK	DRAWN E.B.
SCALE 1:2	UNIT mm.	REV A	CHECK
UNLESS OTHERWISE SPECIFIED TOLERANCE SEE ABOVE			APPROVED