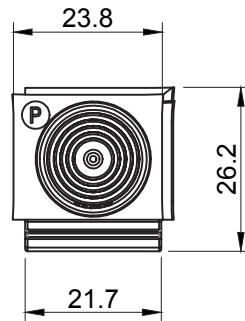
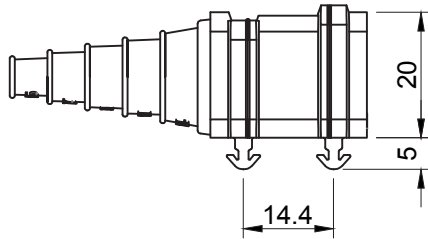
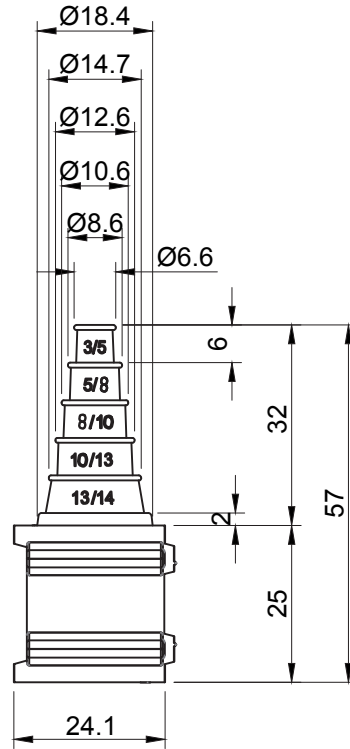
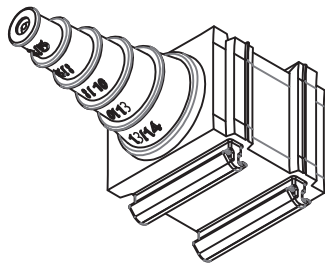


REVISIONS			
REV	DESCRIPTION	DATE	BY



**FLAMMABILITY: UL94-V0, SELF-EXTINGUISHING**  
**WORKING TEMPERATURE: -40°C ~ +110°C**  
**PROPERTIES: HALOGEN-FREE, SILICONE-FREE**  
**CABLE Ø: 3,0 - 14,0 mm**

ECOLAB	IP66	NEMA 12, 4X	HL3 EN 45545-2	APPROVED MARINE TYPE
	ULTYPE 12, 4X	UV ISO 4892-2A	RoHS COMPLIANT	Ex

		TITLE <b>CABLE GROMMET</b>	
		MATERIAL TPE	DATE 21/03/2024
PART NUMBER 18952PS01		DRAWING NUMBER 24/03/21.18952.E	
SIZE A4		SCALE 1:2	UNIT mm.
REV A		COLOR BLACK	CHECK
UNLESS OTHERWISE SPECIFIED TOLERANCE		SEE ABOVE	APPROVED