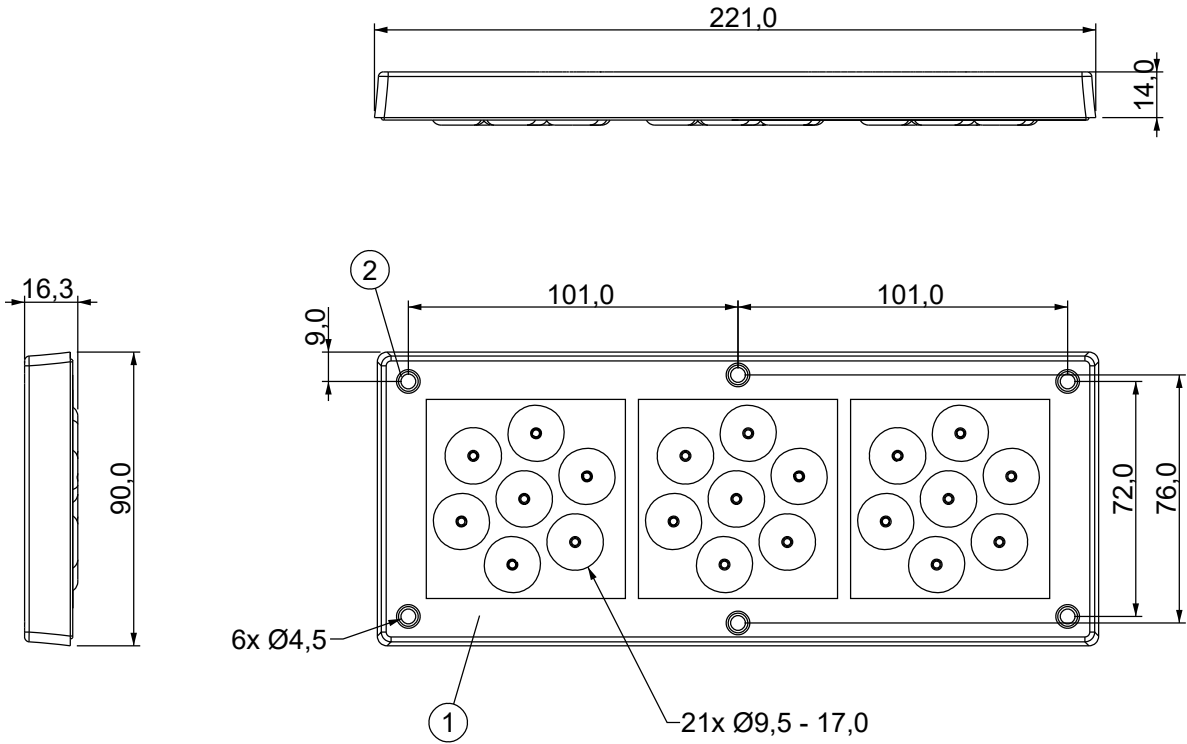
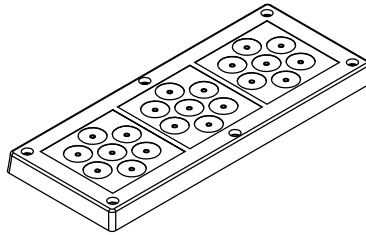


REVISIONS			
REV	DESCRIPTION	DATE	BY



P/N GREY	P/N BLACK
18574PS11	19026PS01



Id	Description	Material	Q.ty
1	Body	TPE	1
2	Frame	PA	1

**Flammability:** UL94-V0, self-extinguishing  
**Temperature:** -40°C ... +110°C  
**Properties:** halogen-free, silicone-free

Recommended cut-out:  
192 x 62 mm

APPROVED R MACHINE TYPE	UL US pending	EN 45545-2 HL3	Ex
ECOLAB	UL94-V0	IP66	NEMA 12, 4X
		UV ISO 4892-2A	RoHS COMPLIANT

		TITLE <b>CABLE GLANDS</b>	
		MATERIAL SEE ABOVE	DATE 25/03/2024
PART NUMBER SEE TABLE		DRAWN E.B.	
DRAWING NUMBER 24/03/25.18574.E		CHECK	
SIZE A4	SCALE 1:2	COLOR SEE TABLE	APPROVED
UNIT mm.	REV A	UNLESS OTHERWISE SPECIFIED TOLERANCE SEE ABOVE	