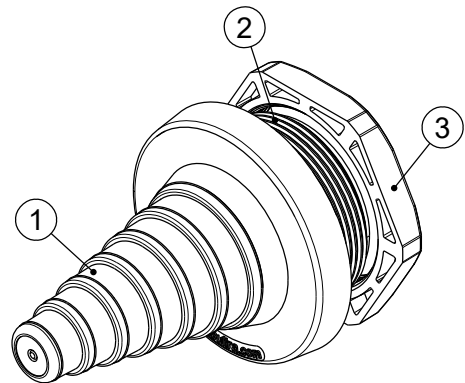
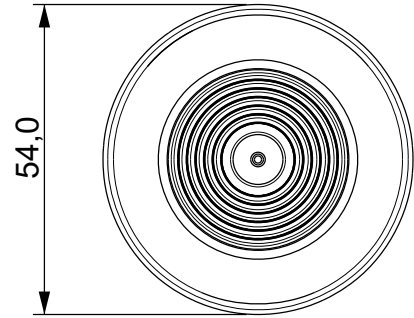
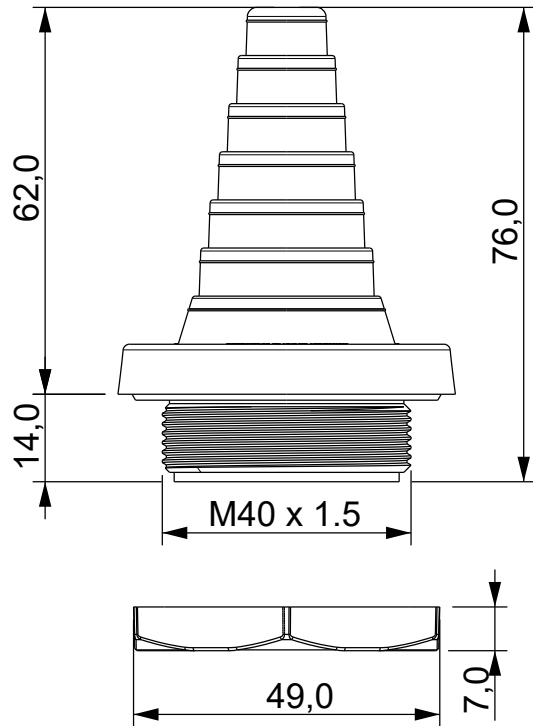


REVISIONS			
REV	DESCRIPTION	DATE	BY

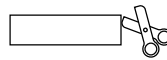


P/N GREY	P/N BLACK
18335PS11	19032PS01

Id	Description	Material	Q.ty	
1	Body	TPE	1	Cable min Ø 8 mm max: Ø 29 mm
2	Frame	PA	1	
3	Locknut	PA	1	

Flammability: UL94-V0, self-extinguishing
Temperature: -40°C ... +155°C
Properties: halogen-free, silicone-free

Recommended cut-out:
 Ø 40.5 mm



APPROVED MACHINE TYPE	C US pending	IP66	HL3 EN 45545-2
ECOLAB	UL94-V0	UV ISO 4892-2A	RoHS COMPLIANT

		TITLE GROMMETS		
		MATERIAL SEE ABOVE	DATE 25/03/2024	
PART NUMBER SEE TABLE		DRAWING NUMBER 24/03/25.18335.E	COLOR SEE TABLE	CHECK
SIZE A4	SCALE 1:2	UNIT mm.	REV A	UNLESS OTHERWISE SPECIFIED TOLERANCE SEE ABOVE
				APPROVED