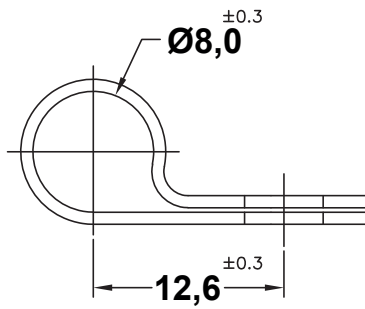
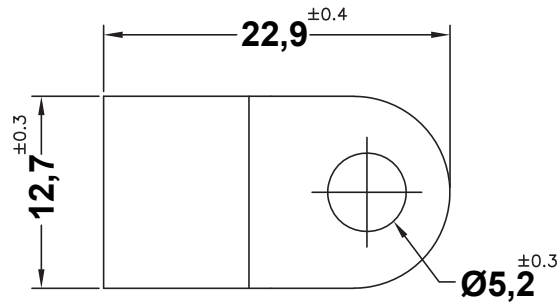
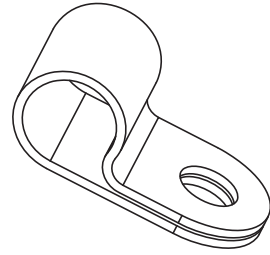



REVISIONS			
REV	DESCRIPTION	DATE	BY



				TITLE CABLE CLAMP		
				MATERIAL ALUMINIUM	DATE 14/01/2021	
PART NUMBER 18174AL90				DRAWN R.F.		
				DRAWING NUMBER 21.01.14.146331.0.E		
SIZE A4		SCALE 2:1	UNIT mm.	REV A	COLOR	CHECK
UNLESS OTHERWISE SPECIFIED TOLERANCE SEE ABOVE				APPROVED		