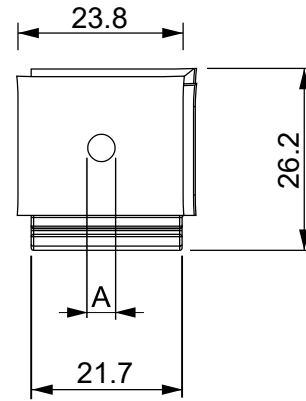
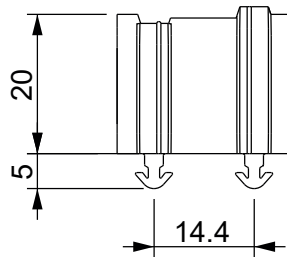
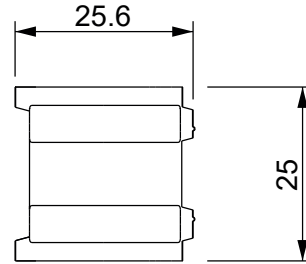
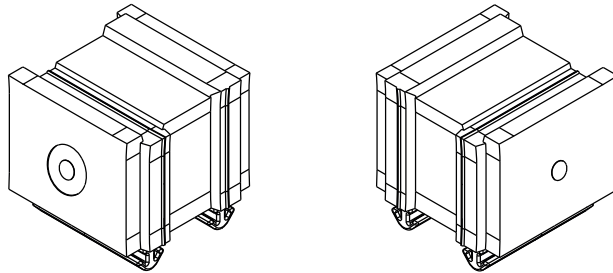


DIM.	TOL.
5mm DOWN	±0.2
5~20mm	±0.3
20~40mm	±0.4
40~60mm	±0.5
60~100mm	±0.8
100mm UP	±1.0

REVISIONS			
REV	DESCRIPTION	DATE	BY



P/N COLOUR GREY	CABLE Ø	A
16066PS11	0	0
16067PS11	2,5 - 7,0	2,0
16068PS11	4,5 - 10,0	5,0
16069PS11	7,5 - 12,5	7,0
16070PS11	9,0 - 14,0	9,0
16056PS11	12,0 - 16,5	11,5

P/N COLOUR BLACK	CABLE Ø	A
16118PS01	0	0
16119PS01	2,5 - 7,0	2,0
16120PS01	4,5 - 10,0	5,0
16122PS01	7,5 - 12,5	7,0
16123PS01	9,0 - 14,0	9,0
18965PS01	12,0 - 16,5	11,5

Flammability: UL94-V0, self-extinguishing
Temperature: -40°C ... +110°C
Properties: halogen-free, silicone-free



UL TYPE 12, 4X	ECOLAB	UL94-V0	UV ISO 4892-2	RoHS COMPLIANT	UL US	IP66	NEMA 12, 4X
--------------------------	---------------	---------	---------------	----------------	-------	-------------	--------------------



TITLE INSERTS WITH EXTENDED RANGE - NON SPLIT	
MATERIAL TPE	DATE 21/03/2024
COLOUR SEE TABLE	DRAWN E.B.
PART NUMBER SEE TABLE	CHECK
DRAWING NUMBER 24.03.21.16XXX.0.E	APPROVED
SIZE A4	UNLESS OTHERWISE SPECIFIED TOLERANCE
SCALE NTS	
UNIT mm.	
REV A	