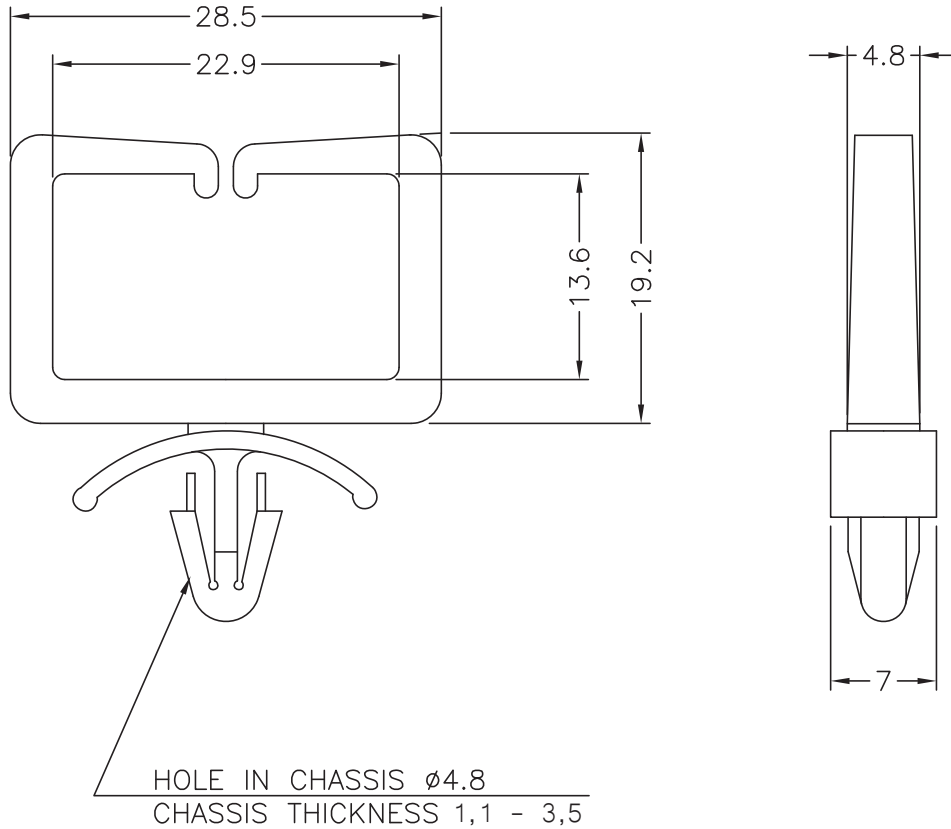



DIM.	TOL.
5mm DOWN	±0.2
5~20mm	±0.3
20~40mm	±0.4
40~60mm	±0.5
60~100mm	±0.8
100mm UP	±1.0

REVISIONS			
REV	DESCRIPTION	DATE	BY



**NOTE:**

1. Shrinking is normal status.
2. All measurement does not include gate which raises under 0.3 mm.

		TITLE WIRE HOLDER	
		MATERIAL NYLON 66 UL94V-2	DATE 15/09/2015
PART NUMBER 10971AA00		DRAWN S.P.	
DRAWING NUMBER 15.09.15.10971.0.E		COLOR NATURAL	CHECK
SIZE A4	SCALE 2:1	UNIT mm	REV A
UNLESS OTHERWISE SPECIFIED TOLERANCE SEE ABOVE		APPROVED	