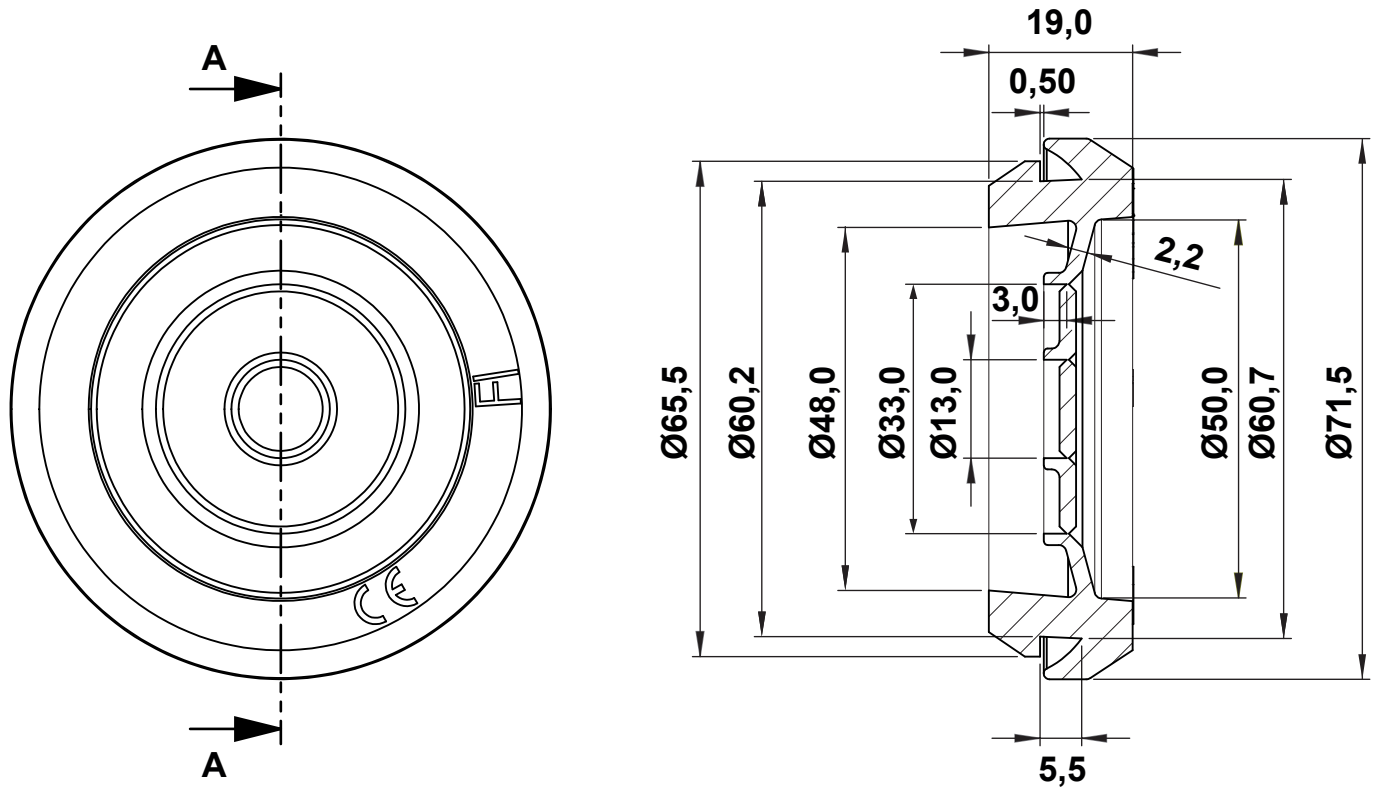


DIM.	TOL.
5mm DOWN	±0.2
5~20mm	±0.3
20~40mm	±0.4
40~60mm	±0.5
60~100mm	±0.8
100mm UP	±1.0



REVISIONS			
REV	DESCRIPTION	DATE	BY



SECTION A-A

**MAX. PANEL THICKNESS: MIN. 1,0 ... MAX. 5,5**  
**HOLE PANEL: 60,0**  
**WORKING TEMPERATURE: -40°C ... + 130°C**  
**PROTECTION IP67**

P/N	color	material
22007PF019011	RAL 9011	TPE-SEBS
22007PF029010	RAL 9010	TPE-SEBS
22007PF027035	RAL 7035	TPE-SEBS
22007PV02	WHITE	TPE-SEBS V0

				TITLE <b>GROMMET</b>	
				MATERIAL SEE ABOVE	
PART NUMBER SEE ABOVE				DRAWING NUMBER 22.04.06.22007.0.E	
				DRAWN A.C.	
SIZE A4		SCALE 1:1		COLOR SEE ABOVE	
UNIT mm.		REV A		UNLESS OTHERWISE SPECIFIED TOLERANCE SEE ABOVE	
				APPROVED	