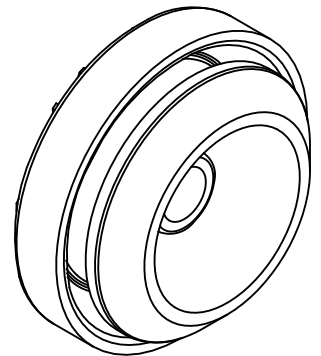
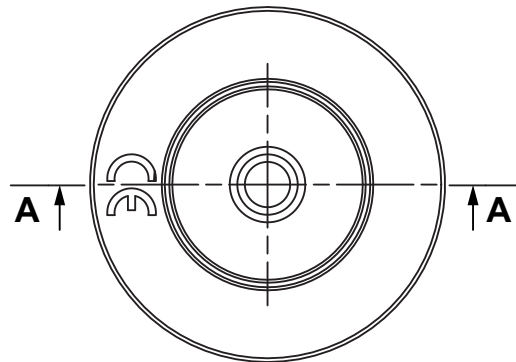
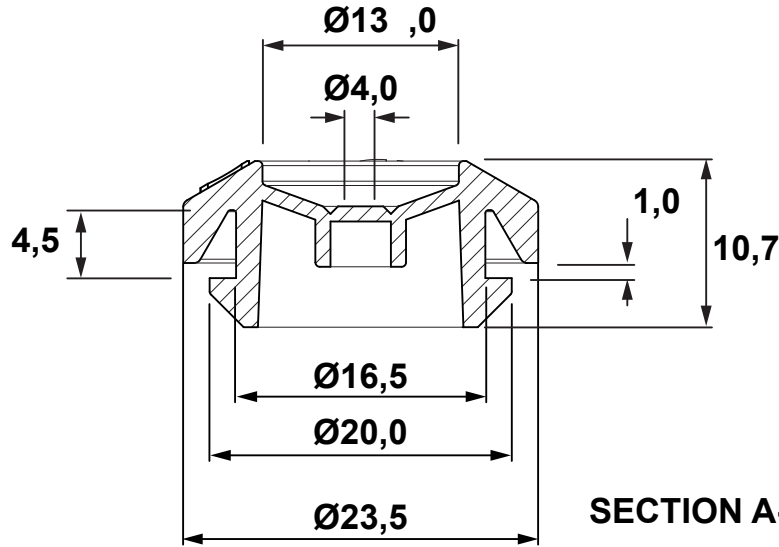


| DIM.     | TOL. |
|----------|------|
| 5mm DOWN | ±0.2 |
| 5~20mm   | ±0.3 |
| 20~40mm  | ±0.4 |
| 40~60mm  | ±0.5 |
| 60~100mm | ±0.8 |
| 100mm UP | ±1.0 |

| REVISIONS |             |      |    |
|-----------|-------------|------|----|
| REV       | DESCRIPTION | DATE | BY |
|           |             |      |    |
|           |             |      |    |



| P/N           | color    | material    |
|---------------|----------|-------------|
| 22001PF019011 | RAL 9011 | TPE-SEBS    |
| 22001PF119010 | RAL 9010 | TPE-SEBS    |
| 22001PF117035 | RAL 7035 | TPE-SEBS    |
| 22001PV02     | WHITE    | TPE-SEBS V0 |

**MAX. PANEL THICKNESS: MIN. 1,0 ... MAX. 4,5**  
**HOLE PANEL: 16,5**  
**WORKING TEMPERATURE: -40°C ... + 130°C**  
**PROTECTION IP67**



|   |  |                    |  |
|---|--|--------------------|--|
| TITLE<br><b>GROMMET</b>                           |  | DATE<br>04/04/2022 |  |
| MATERIAL<br>SEE ABOVE                             |  | DRAWN<br>A.C.      |  |
| COLOR<br>SEE ABOVE                                |  | CHECK              |  |
| UNLESS OTHERWISE SPECIFIED TOLERANCE<br>SEE ABOVE |  | APPROVED           |  |

|                          |              |                                      |          |
|--------------------------|--------------|--------------------------------------|----------|
| PART NUMBER<br>SEE ABOVE |              | DRAWING NUMBER<br>22.04.04.22001.0.E |          |
| SIZE<br>A4               | SCALE<br>2:1 | UNIT<br>mm.                          | REV<br>A |