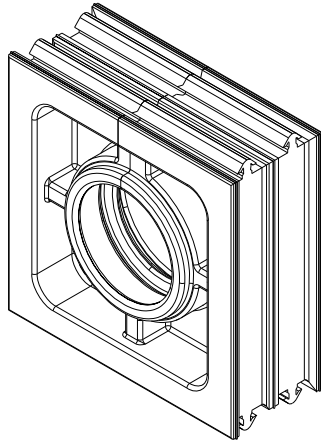
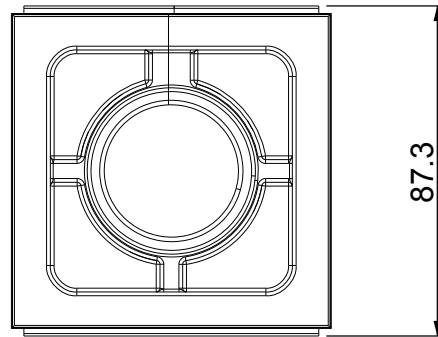
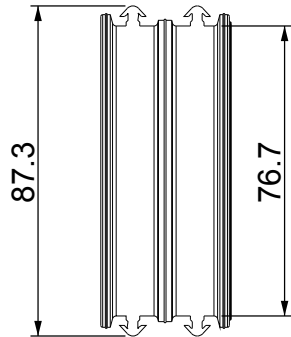
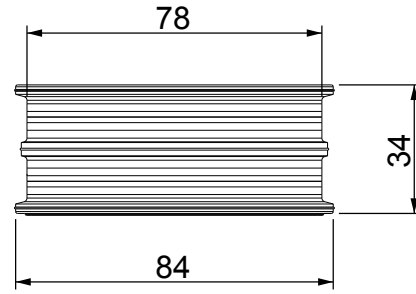


DIM.	TOL.
5mm DOWN	±0.2
5~20mm	±0.3
20~40mm	±0.4
40~60mm	±0.5
60~100mm	±0.8
100mm UP	±1.0



REVISIONS			
REV	DESCRIPTION	DATE	BY



P/N GREY	CABLE Ø
19261PS11	—
19262PS11	36,0 - 39,0 mm
19263PS11	41,0 - 44,0 mm
19264PS11	43,0 - 48,0 mm
19265PS11	47,0 - 51,0 mm
19266PS11	52,0 - 56,0 mm
19267PS11	56,0 - 60,0 mm
19268PS11	60,0 - 65,0 mm

Temperature: -40°C ... +110 °C  
 IP Rating: IP 54  
 halogen-free, silicone-free

				<b>IP54</b>	<b>NEMA 12</b>
					<b>EN 45545-2</b>

		TITLE <b>CABLE GROMMETS SPH</b>			
		MATERIAL TPE V0 (UL94)		DATE 16/05/2024	
PART NUMBER SEE ABOVE		DRAWING NUMBER 24/05/16.1926X.E		DRAWN E.B.	
SIZE A4		SCALE NTS		CHECK	
UNIT mm.		REV A		APPROVED	
COLOR GREY				UNLESS OTHERWISE SPECIFIED TOLERANCE SEE ABOVE	