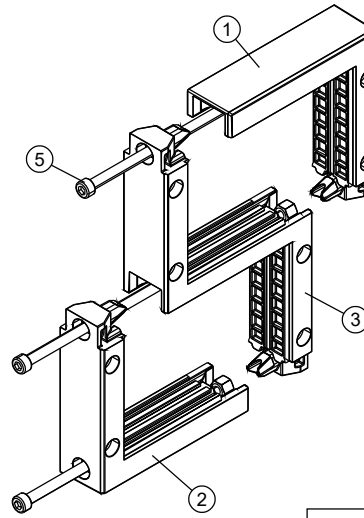
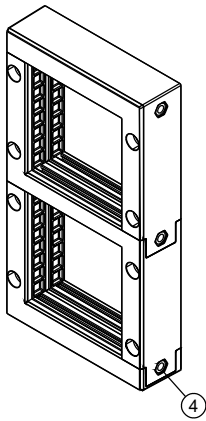
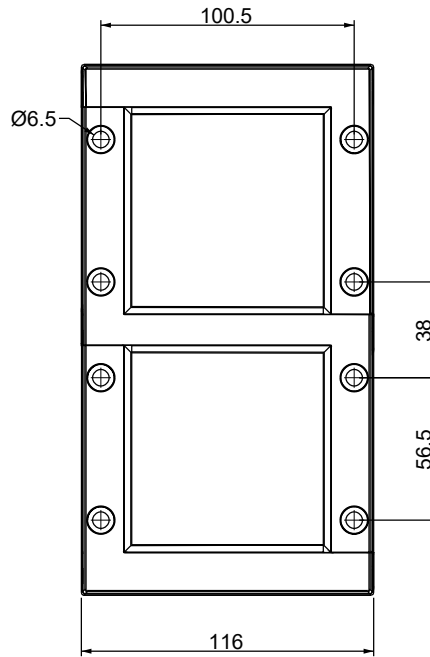
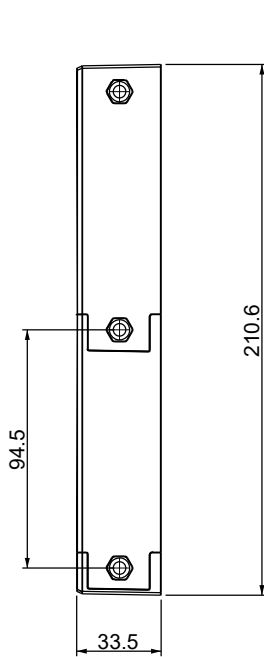


REVISIONS			
REV	DESCRIPTION	DATE	BY



Id	Description	Material	Q.ty
1	Top	PP + GF	1
2	Bottom	PP + GF	1
3	Middle	PP + GF	1
4	Nut (Black dacromet finishing)	SS304	3
5	Screw Hex M6x1.0 L=108	SS304	3

Flammability: UL94-V0, self-extinguishing
Temperature: -40°C ... +155°C
Properties: halogen-free, silicone-free

Recommended cut-out:
166.5 x 72 mm



CE	APPROVED MARINE TYPE	UL US pending
NEMA 12	HL3 EN 45545-2	IP54 IK10
ECOLAB	UL94-V0	UV ISO 4892-2A
		RoHS COMPLIANT

		TITLE SPLITABLE FRAMES	
		MATERIAL SEE ABOVE	DATE 29/03/2024
PART NUMBER 18947FG01		DRAWN E.B.	
DRAWING NUMBER 24/03/29.18947.E		CHECK	
SIZE A4	SCALE 1:2	COLOR BLACK	APPROVED
UNIT mm.	REV A	UNLESS OTHERWISE SPECIFIED TOLERANCE SEE ABOVE	