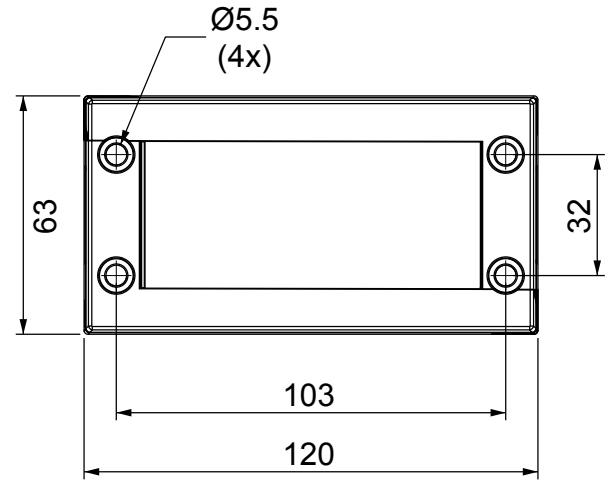
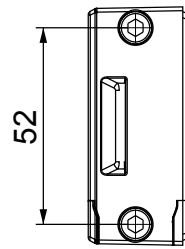
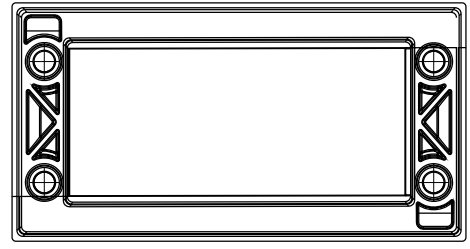
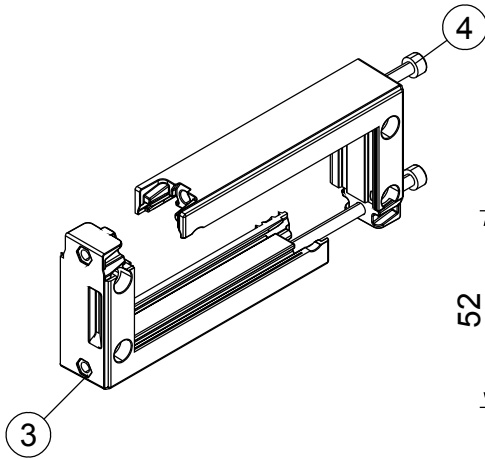
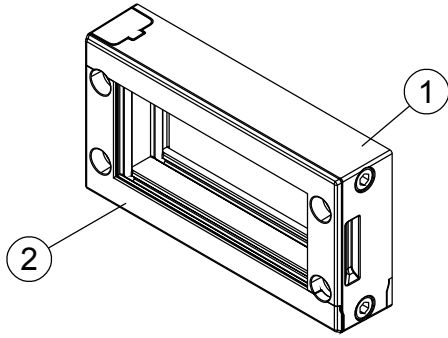


REVISIONS			
REV	DESCRIPTION	DATE	BY

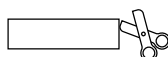



Id	Description	Material	Q.ty
1	DES 16M Top	PP + GF	1
2	DES 16M Bottom	PP + GF	1
3	Nut (Black dacromet finishing)	SS304	2
4	Screw Hex M5x0.8 L=114	SS304	2
5	Gasket (not shown)	NBR	1




Flammability: UL94-V0, self-extinguishing
Temperature: -40°C ... +155°C
Properties: halogen-free, silicone-free

Recommended cut-out: 86 x 40 mm



	IP54	NEMA 12	 EN 45545-2	
		 ISO 4892-2A		IK10

		TITLE SPLITTABLE FRAME FOR PRE-TERMINATED CABLES	
		MATERIAL PA 6.6 V2(UL94)	DATE 19/03/2024
PART NUMBER 18936FG01		DRAWING NUMBER 24/03/19.18935.E	
DRAWN A.C.		CHECK	
SIZE A4	SCALE 1:2	UNIT mm.	REV A
UNLESS OTHERWISE SPECIFIED TOLERANCE SEE ABOVE		APPROVED	