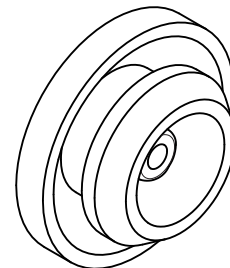
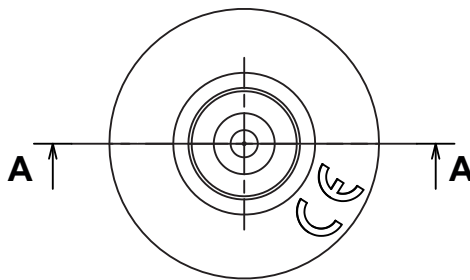
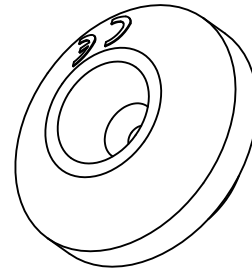
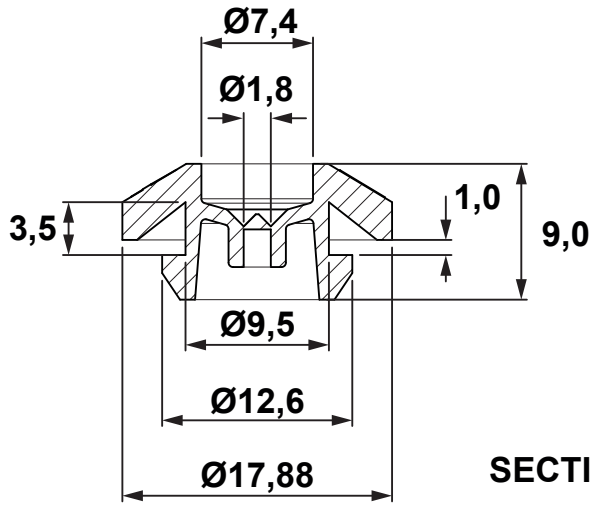


DIM.	TOL.
5mm DOWN	±0.2
5~20mm	±0.3
20~40mm	±0.4
40~60mm	±0.5
60~100mm	±0.8
100mm UP	±1.0

REVISIONS			
REV	DESCRIPTION	DATE	BY



P/N	color	material
16464PF019011	RAL 9011	TPE-SEBS
16464PF119010	RAL 9010	TPE-SEBS
16464PF117035	RAL 7035	TPE-SEBS
16464PV02	WHITE	TPE-SEBS V0

MAX. PANEL THICKNESS: 3,5
HOLE PANEL: 9,5
WORKING TEMPERATURE: -40°C ... + 130°C
PROTECTION IP67



TITLE GROMMET		MATERIAL SEE ABOVE		DATE 04/04/2022
		COLOR SEE ABOVE		DRAWN A.C.
PART NUMBER SEE ABOVE		DRAWING NUMBER 22.04.04.16464.0.E		CHECK (blank)
SIZE A4	SCALE 2:1	UNIT mm.	REV A	UNLESS OTHERWISE SPECIFIED TOLERANCE SEE ABOVE
APPROVED				(blank)