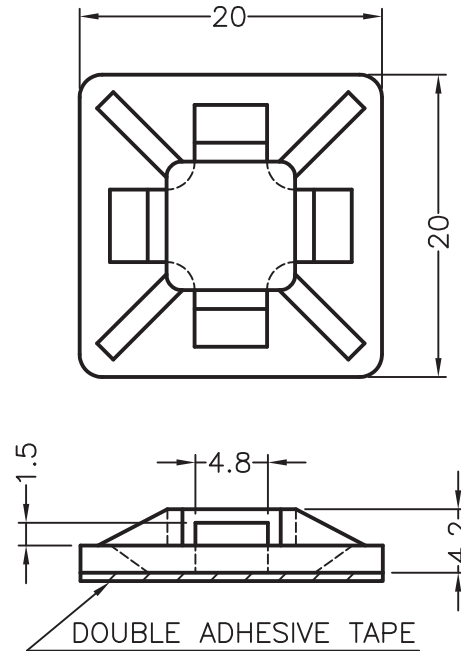


| Dimensions | Tolerance |
|------------|-----------|
| 5mm DOWN   | ±0.2      |
| 5~20mm     | ±0.3      |
| 20~40mm    | ±0.4      |
| 40~60mm    | ±0.5      |
| 60~100mm   | ±0.8      |
| 100mm UP   | ±1.0      |



| REV. | DESCRIPTION                 | DATE | TITLE: Cable tie mount self adhesive | DWG UNIT: MM             |
|------|-----------------------------|------|--------------------------------------|--------------------------|
|      | MATERIAL: PA 66 (UL) 94 V-2 |      | Modelled in RHINO 4.0                | FILE: 10/12/14           |
|      | COLOUR: NATURAL             |      | TOLLERANCES UNLESS NOTED             | DwN:                     |
|      |                             |      | .XX= +/-010                          | ChkD:                    |
|      |                             |      | .XXX= +/-005                         | DT: 14.10.12.10553.E.0   |
|      |                             |      | FRAC.= +/- 1/64                      | Part Number: 10553AA00AS |
|      |                             |      | ANG.= +/-1°                          |                          |
|      |                             |      | SHEET: 1 OF 1                        |                          |
|      |                             |      | SCALE:                               |                          |
|      |                             |      | NTS                                  |                          |
|      |                             |      |                                      |                          |