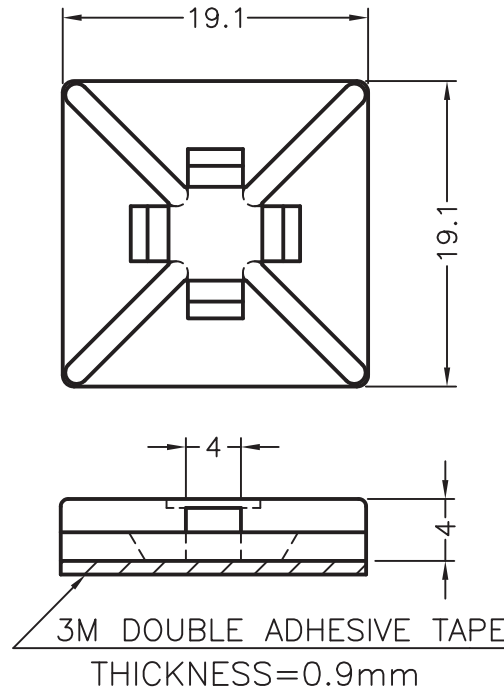


Dimensions	Tolerance
5mm DOWN	±0.2
5~20mm	±0.3
20~40mm	±0.4
40~60mm	±0.5
60~100mm	±0.8
100mm UP	±1.0



REV.	DESCRIPTION	DATE	TITLE: Cable tie mount self adhesive	FILE: 10/12/14	DwN:	DT: 14.10.12.10551.E.0	Part Number: 10551AA00AS
	MATERIAL: PA 66 (UL) 94 V-2		Modelled in RHINO 4.0	SHEET: 1 OF 1			
	COLOUR: NATURAL		TOLLERANCES UNLESS NOTED	SCALE:			
			.XX= +/-010	NTS			
			.XXX= +/-005				
			FRAC.= +/- 1/64				
			ANG.= +/-1°				

