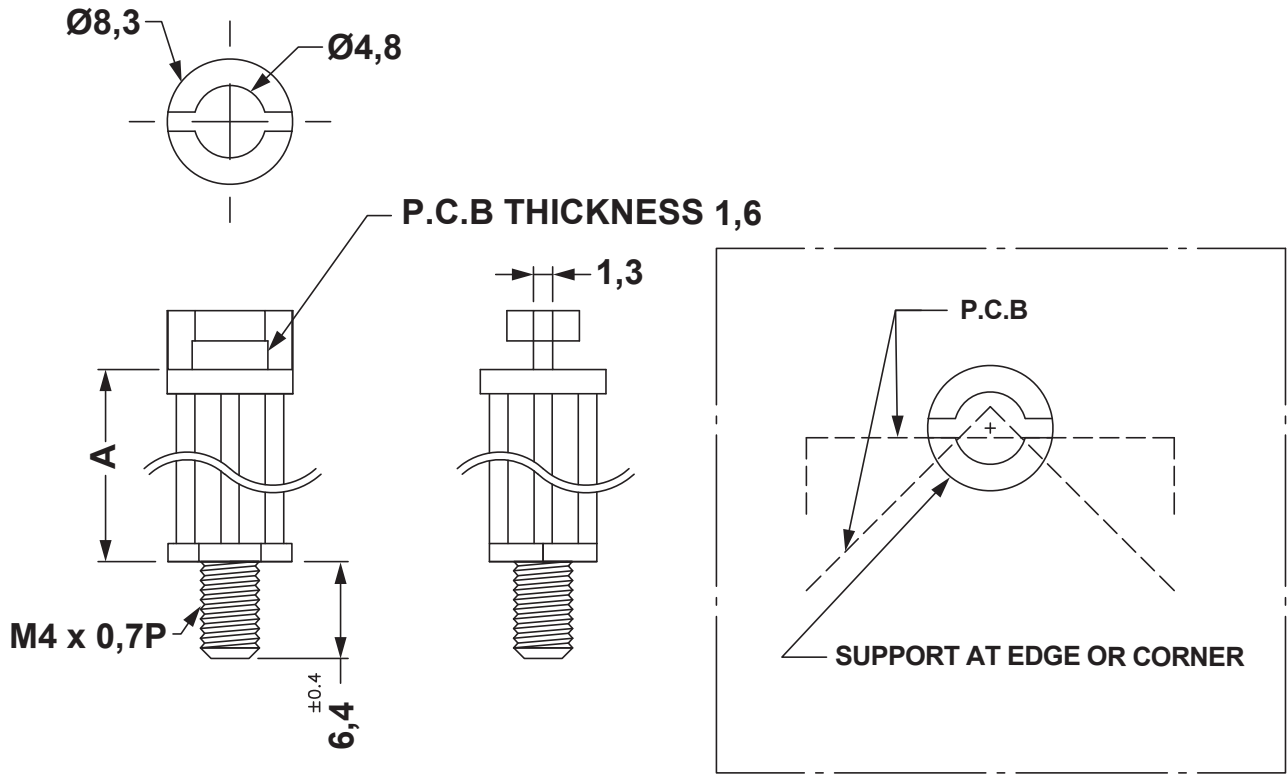



| DIM. | TOL. |
|----------|------|
| 5mm DOWN | ±0.2 |
| 5~20mm | ±0.3 |
| 20~40mm | ±0.4 |
| 40~60mm | ±0.5 |
| 60~100mm | ±0.8 |
| 100mm UP | ±1.0 |

| REVISIONS | | | |
|-----------|-------------|------|----|
| REV | DESCRIPTION | DATE | BY |
| | | | |
| | | | |



| P/N | A |
|-----------|------|
| 14447AA00 | 6,4 |
| 14448AA00 | 9,5 |
| 14449AA00 | 12,7 |
| 14450AA00 | 15,9 |

| | | | | | |
|---|--|-------------|--|--|--------------------|
|  | | | | TITLE SPACER SUPPORT | |
| | | | | MATERIAL PA66 V2(UL94) | DATE 22/04/2020 |
| PART NUMBER SEE TABLE | | | | DRAWN R.F. | |
| | | | | DRAWING NUMBER 20.04.22.144XX.0.E | |
| SIZE A4 | | | | COLOR NATURAL | |
| | | | | CHECK | |
| SCALE NTS | | UNIT mm. | | UNLESS OTHERWISE SPECIFIED TOLERANCE SEE ABOVE | |
| REV A | | APPROVED | | | |