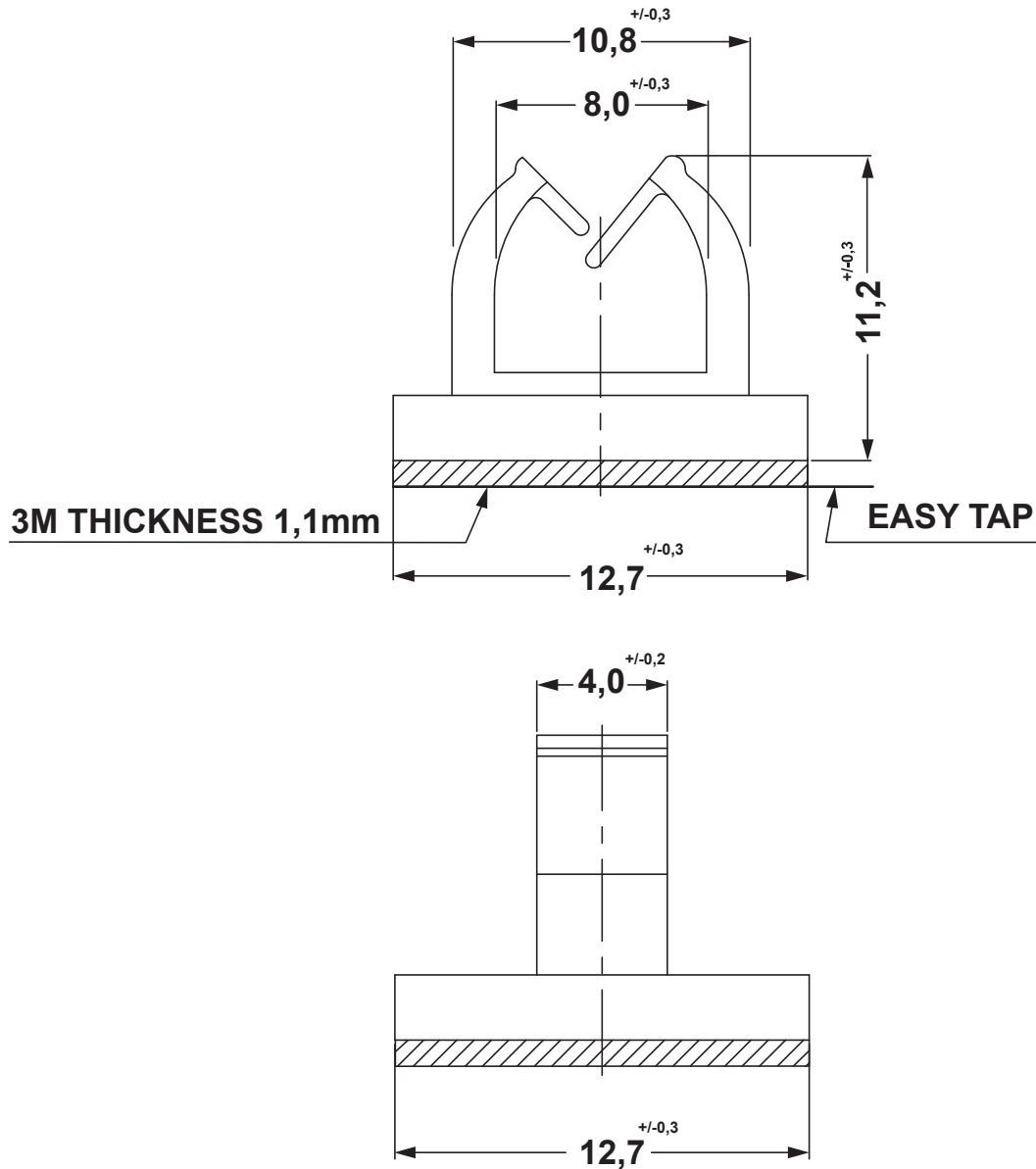



REVISIONS			
REV	DESCRIPTION	DATE	BY



- NOTE: 1. THE PRODUCT SIZE IS NOT INCLUDED THE SIZES OF ADHESIVE TAPE AND ITS LINER.
 2. IT IS HAND-CUT ADHESIVE TAPE, SO CAN NOT PERFECTLY STICK EVENLY. IT IS POSSIBLE TO HAVE SOME PORTION EXPOSED OR SHRINKING INWARD. THIS IS A NORMAL PHENOMENON.
 3. SHRINKING IS NORMAL STATUS.
 4. MADE OF EQUIVALENT MATERIAL.

				TITLE SELF-ADHESIVE WIRE CLIPS	
				MATERIAL PA6.6 V2 (UL94)	DATE 26/06/2019
PART NUMBER 12976AA00AS				DRAWN R.F.	
				DRAWING NUMBER 19.06.26.12976.0.E	
COLOR NATURAL				CHECK	
SIZE A4	SCALE NTS	UNIT mm.	REV A	UNLESS OTHERWISE SPECIFIED TOLERANCE SEE ABOVE	
				APPROVED	