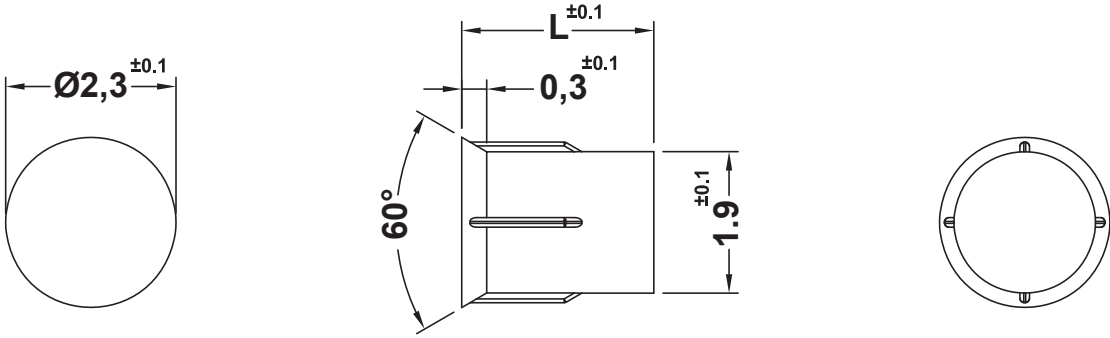
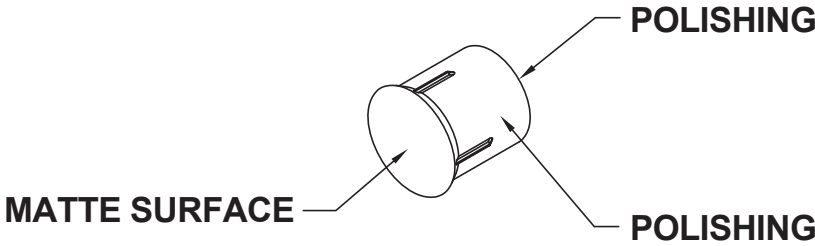


REVISIONS			
REV	DESCRIPTION	DATE	BY



MOUNTING HOLE Ø1.98^{±0.05}

P/N	L
12816NV0002.5	2.5
12816NV0003.2	3.2
12816NV0004.8	4.8
12816NV0007.0	7.0
12816NV0008.0	8.0
12816NV0009.0	9.0
12816NV0010.0	10.0



TITLE LIGHT PIPE		MATERIAL PC		DATE 05/12/2018	
		COLOR TRASPARENT		DRAWN R.F.	
PART NUMBER SEE TABLE		DRAWING NUMBER 18.12.05.12816.0.E		CHECK	
SIZE A4	SCALE 8:1	UNIT mm.	REV A	UNLESS OTHERWISE SPECIFIED TOLERANCE SEE ABOVE	APPROVED