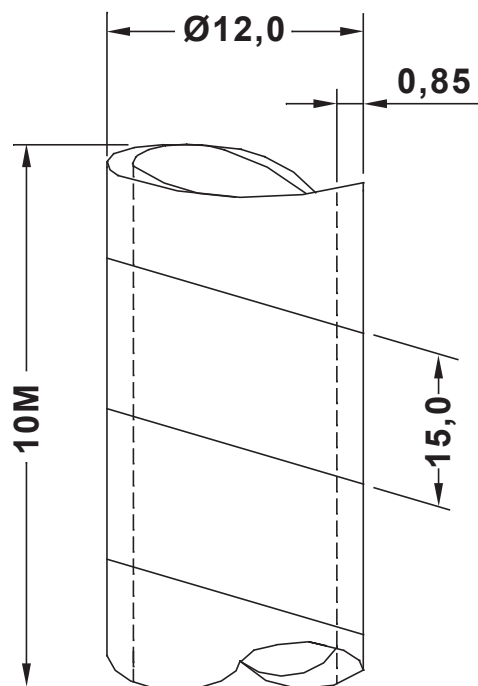


DIM.	TOL.
5mm DOWN	±0.2
5~20mm	±0.3
20~40mm	±0.4
40~60mm	±0.5
60~100mm	±0.8
100mm UP	±1.0

REVISIONS			
REV	DESCRIPTION	DATE	BY



TITLE  
**SPIRAL WRAPPING BANDS**

MATERIAL PE-LD	DATE 12/10/2018
-------------------	--------------------

	DRAWN R.F.
--	---------------

COLOR NATURAL	CHECK
------------------	-------

UNLESS OTHERWISE SPECIFIED TOLERANCE SEE ABOVE	APPROVED
------------------------------------------------------	----------

PART NUMBER 6670EA00		DRAWING NUMBER 18.10.12.6670.0.E	
SIZE A4	SCALE NTS	UNIT mm.	REV A