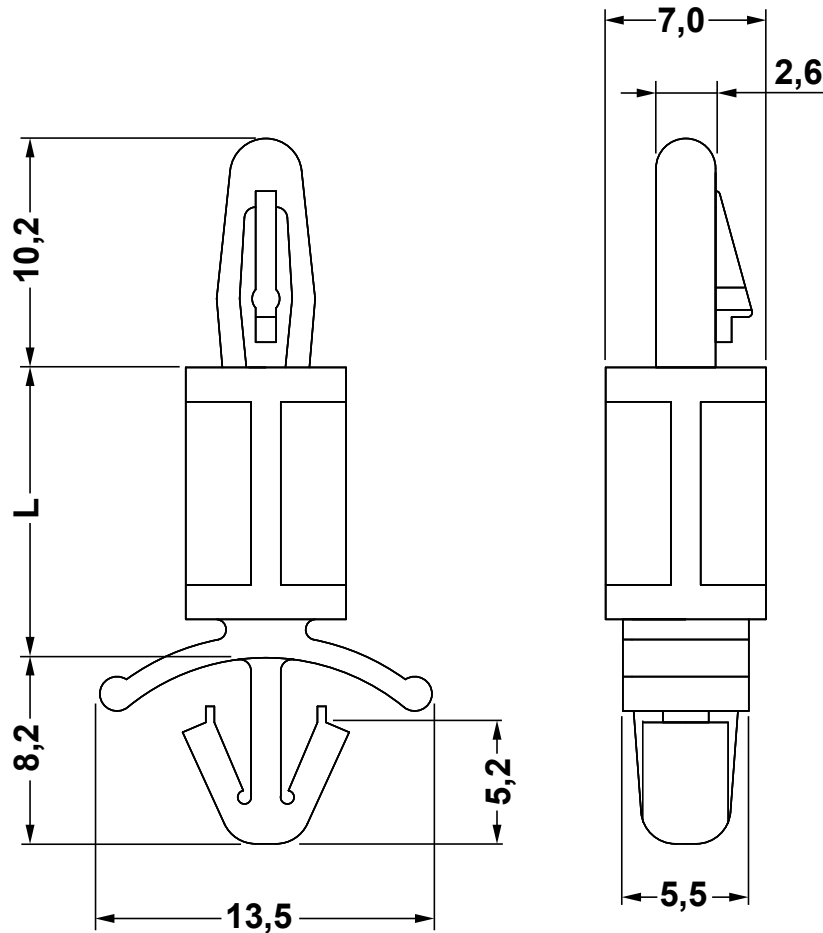


DIM.	TOL
5mm DOWN	±0.2
5~20mm	±0.3
20~40mm	±0.4
40~60mm	±0.5
60~100mm	±0.8
100mm UP	±1.0

P/N	L
5502AA00	6,4
5504AA00	9,5
5505AA00	11,1
5506AA00	12,7
5507AA00	15,9



PCB HOLE: Ø 4,0 mm.
PCB THICKNESS: 1,4 - 1,8 mm.

PANEL HOLE: Ø 4,8 mm.
PANEL THICKNESS: 0,5 - 2,0 mm.

REV.	DESCRIPTION	DATE	TITLE: DUAL LOCKING P.C.B. SPACER	FILE:	DwN: 07.05.12.550X.E.0	ChkD:	DWG UNIT: MM
	MATERIAL: PA66 V2 (UL94)		Modelled in RHINO 4.0				
	COLOUR: NATURAL		TOLLERANCES UNLESS NOTED	SHEET: 1 OF 1	DT: 12/05/07	Part Number: SEE TABLE	
			SEE ABOVE	SCALE: NTS	