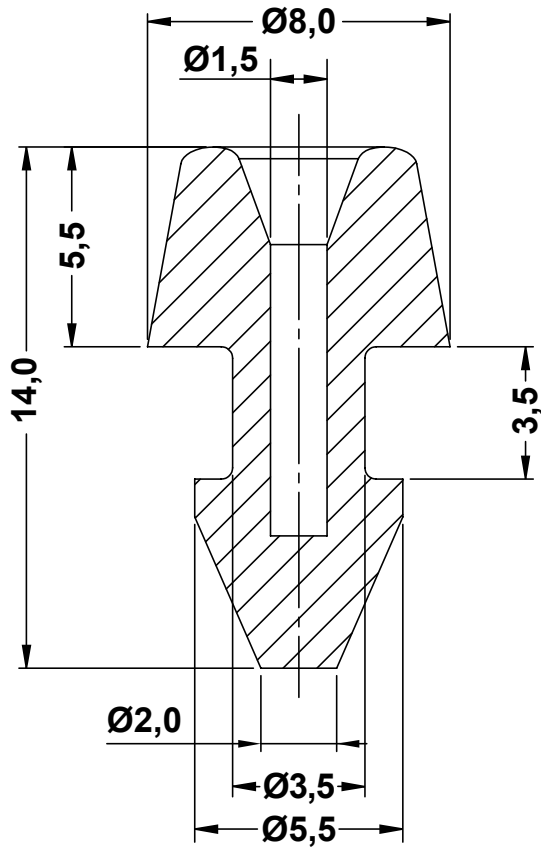
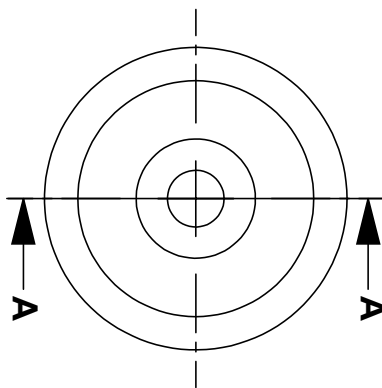


REVISIONS			
REV	DESCRIPTION	DATE	BY



SECTION A-A



PART NUMBER 11249GS01		DRAWING NUMBER 18.12.11.11249.0.E		TITLE BUMPER	
MATERIAL EPDM 60 SHORE A		DATE 11/12/2018		DRAWN R.F.	
COLOR BLACK		CHECK		APPROVED	
SIZE A4	SCALE 5:1	UNIT mm.	REV A	UNLESS OTHERWISE SPECIFIED TOLERANCE SEE ABOVE	