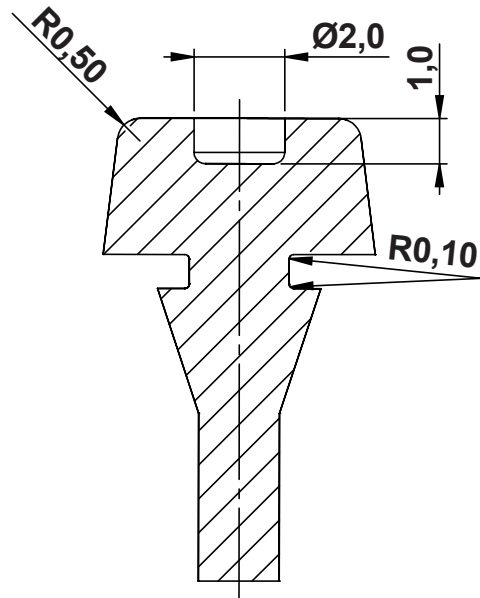
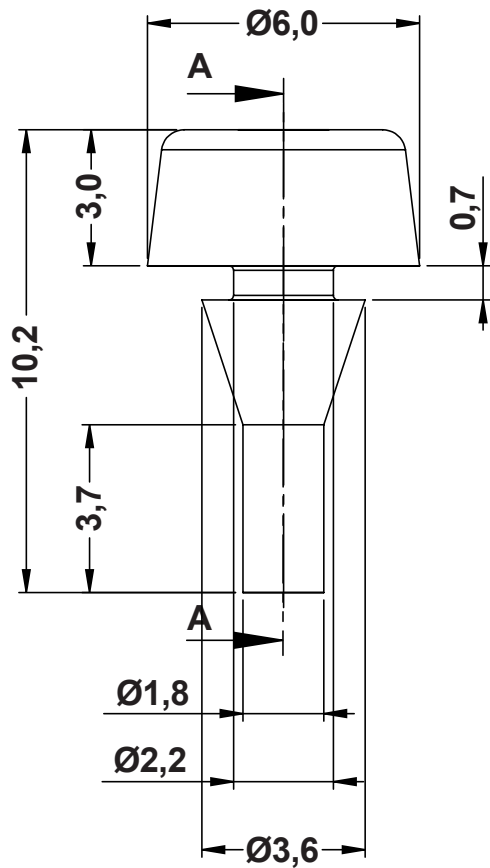


REVISIONS			
REV	DESCRIPTION	DATE	BY



**SECTION A-A**



<b>TITLE</b> <b>BUMPER</b>		<b>MATERIAL</b> EPDM 50±5 Shore A		<b>DATE</b> 21/11/2018	
		<b>COLOR</b> BLACK		<b>DRAWN</b> R.F.	
<b>PART NUMBER</b> 11220GS01		<b>DRAWING NUMBER</b> 18.11.21.11220.0.E		<b>CHECK</b> (blank)	
<b>SIZE</b> A4	<b>SCALE</b> 6:1	<b>UNIT</b> mm.	<b>REV</b> A	<b>UNLESS OTHERWISE SPECIFIED TOLERANCE</b> (blank)	
				<b>APPROVED</b> (blank)	