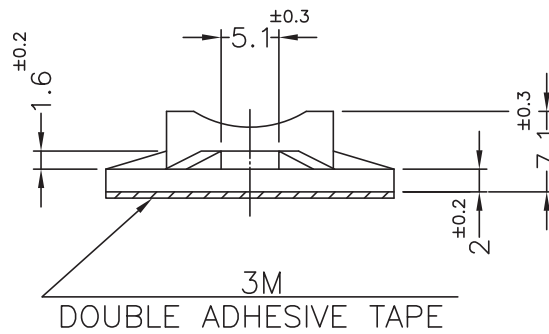
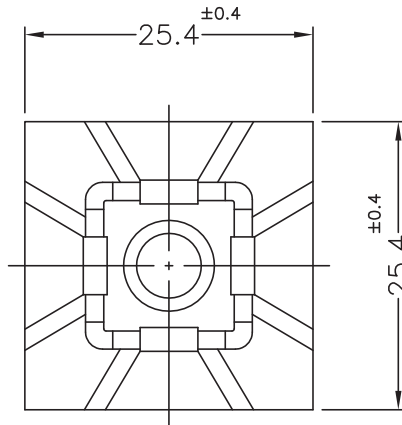



| DIM.     | TOL. |
|----------|------|
| 5mm DOWN | ±0.2 |
| 5~20mm   | ±0.3 |
| 20~40mm  | ±0.4 |
| 40~60mm  | ±0.5 |
| 60~100mm | ±0.8 |
| 100mm UP | ±1.0 |

| REVISIONS |             |      |    |
|-----------|-------------|------|----|
| REV       | DESCRIPTION | DATE | BY |
|           |             |      |    |
|           |             |      |    |



- NOTE: 1. THE PRODUCT SIZE IS NOT INCLUDED THE SIZES OF ADHESIVE TAPE AND ITS LINER.
2. IT IS HAND-CUT ADHESIVE TAPE, SO CAN NOT PERFECTLY STICK EVENLY. IT IS POSSIBLE TO HAVE SOME PORTION EXPOSED OR SHRINKING INWARD. THIS IS A NORMAL PHENOMENON.
3. SHRINKING IS NORMAL STATUS.
4. MADE OF EQUIVALENT MATERIAL.

**NOTE: EX CP 0569**

|   |              |             |          |  |                    |
|---|--------------|-------------|----------|--|--------------------|
|  |              |             |          | TITLE<br>CLABLE TIE MOUNT                            |                    |
|   |              |             |          | MATERIAL<br>PA6.6 V2 (UL94)                          | DATE<br>07/07/2017 |
| PART NUMBER<br>12554AA00AS  |              |             |          | DRAWN<br>R.F.  |                    |
|   |              |             |          | CHECK  |                    |
| DRAWING NUMBER<br>17.07.07.12554.0.E  |              |             |          | COLOR<br>NATURAL                                     |                    |
| SIZE<br>A4  | SCALE<br>3:2 | UNIT<br>mm. | REV<br>A | UNLESS OTHERWISE SPECIFIED<br>TOLERANCE<br>SEE ABOVE |                    |
|   |              |             |          | APPROVED   |                    |