

VITI CON TESTA PIANA DIN EN ISO 1580 (EX DIN 85)



Descrizione tecnica

Materiale: PA 6

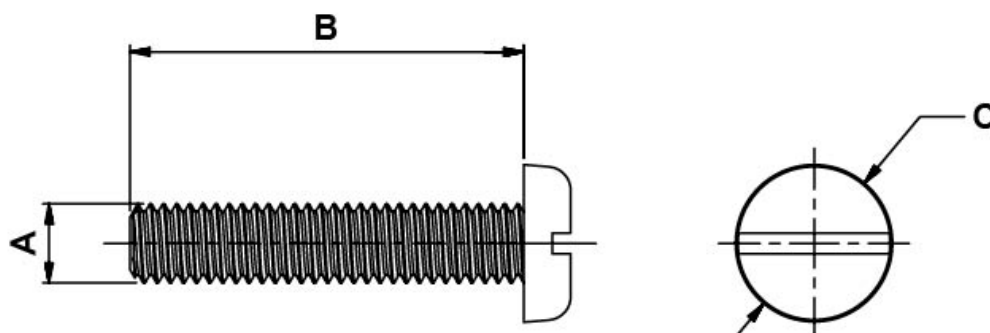
Colore : naturale

Norma di riferimento:
 DIN EN ISO 1580 (EX DIN 85)

Temperatura esercizio:

-30° C ~ + max. 100° C

Tutte le quote sono in mm.



Codice	A	B	C	Conf./pezzi
15671AA0004.0	M 2	4,0	4,0	1.000
15671AA0006.0	M 2	6,0	4,0	1.000
15671AA0008.0	M 2	8,0	4,0	1.000
15671AA0010.0	M 2	10,0	4,0	1.000
15671AA0012.0	M 2	12,0	4,0	1.000
15671AA0016.0	M 2	16,0	4,0	1.000
15671AA0020.0	M 2	20,0	4,0	1.000
15671AA0025.0	M 2	25,0	4,0	1.000
15671AA0005.0	M 2	5,0	4,0	1.000
15672AA0012.0	M 2.5	12,0	5,0	1.000
15672AA0025.0	M 2.5	25,0	5,0	1.000

Codice	A	B	C	Conf./pezzi
15672AA0020.0	M 2.5	20,0	5,0	1.000
15672AA0016.0	M 2.5	16,0	5,0	1.000
15672AA0004.5	M 2.5	4,5	5,0	1.000
15672AA0010.0	M 2.5	10,0	5,0	1.000
15672AA0006.0	M 2.5	6,0	5,0	1.000
15672AA0005.0	M 2.5	5,0	5,0	1.000
15672AA0008.0	M 2.5	8,0	5,0	1.000
15672AA0004.0	M 2.5	4,0	5,0	1.000
10311AA0020.0	M 3	20,0	6,0	1.000
10311AA0030.0	M 3	30,0	6,0	1.000
10311AA0028.0	M 3	28,0	6,0	1.000
10311AA0025.0	M 3	25,0	6,0	1.000
10311AA0022.0	M 3	22,0	6,0	1.000
10311AA0018.0	M 3	18,0	6,0	1.000
10311AA0016.0	M 3	16,0	6,0	1.000
10311AA0014.0	M 3	14,0	6,0	1.000
10311AA0012.0	M 3	12,0	6,0	1.000
10311AA0010.0	M 3	10,0	6,0	1.000
10311AA0008.0	M 3	8,0	6,0	1.000
10311AA0006.0	M 3	6,0	6,0	1.000
10311AA0005.0	M 3	5,0	6,0	1.000
10311AA0004.0	M 3	4,0	6,0	1.000
10312AA0018.0	M 4	18,0	8,0	1.000
10312AA0030.0	M 4	30,0	8,0	1.000
10312AA0028.0	M 4	28,0	8,0	1.000
10312AA0025.0	M 4	25,0	8,0	1.000
10312AA0022.0	M 4	22,0	8,0	1.000
10312AA0020.0	M 4	20,0	8,0	1.000
10312AA0004.0	M 4	4,0	8,0	1.000
10312AA0016.0	M 4	16,0	8,0	1.000
10312AA0014.0	M 4	14,0	8,0	1.000

Codice	A	B	C	Conf./pezzi
10312AA0012.0	M 4	12,0	8,0	1.000
10312AA0010.0	M 4	10,0	8,0	1.000
10312AA0008.0	M 4	8,0	8,0	1.000
10312AA0006.0	M 4	6,0	8,0	1.000
10312AA0005.0	M 4	5,0	8,0	1.000
10313AA0035.0	M 5	35,0	10,0	1.000
10313AA0030.0	M 5	30,0	10,0	1.000
10313AA0025.0	M 5	25,0	10,0	1.000
10313AA0020.0	M 5	20,0	10,0	1.000
10313AA0016.0	M 5	16,0	10,0	1.000
10313AA0014.0	M 5	14,0	10,0	1.000
10313AA0010.0	M 5	10,0	10,0	1.000
10313AA0008.0	M 5	8,0	10,0	1.000
10313AA0012.0	M 5	12,0	10,0	1.000
10313AA0006.0	M 5	6,0	10,0	1.000
10314AA0020.0	M 6	20,0	12,0	1.000
10314AA0035.0	M 6	35,0	12,0	1.000
10314AA0030.0	M 6	30,0	12,0	1.000
10314AA0025.0	M 6	25,0	12,0	1.000
10314AA0008.0	M 6	8,0	12,0	1.000
10314AA0016.0	M 6	16,0	12,0	1.000
10314AA0012.0	M 6	12,0	12,0	1.000
10314AA0010.0	M 6	10,0	12,0	1.000
10314AA0006.0	M 6	6,0	12,0	1.000
10314AA0015.0	M 6	15,0	12,0	1.000
10314AA0005.0	M 6	5,0	12,0	1.000
10315AA0018.0	M 8	18,0	15,0	1.000
10315AA0035.0	M 8	35,0	15,0	1.000
10315AA0030.0	M 8	30,0	15,0	1.000
10315AA0025.0	M 8	25,0	15,0	1.000
10315AA0020.0	M 8	20,0	15,0	1.000

Codice	A	B	C	Conf./pezzi
10315AA0023.0	M 8	23,0	15,0	1.000
10315AA0016.0	M 8	16,0	15,0	1.000
10315AA0012.0	M 8	12,0	15,0	1.000
10315AA0010.0	M 8	10,0	15,0	1.000
10315AA0008.0	M 8	8,0	15,0	1.000
10315AA0006.0	M 8	6,0	15,0	1.000
10315AA0005.0	M 8	5,0	15,0	1.000
10315AA0004.0	M 8	4,0	15,0	1.000
10315AA0015.0	M 8	15,0	15,0	1.000
10316AA0016.0	M10	16,0	20,0	1.000
10316AA0035.0	M10	35,0	20,0	1.000
10316AA0030.0	M10	30,0	20,0	1.000
10316AA0025.0	M10	25,0	20,0	1.000
10316AA0020.0	M10	20,0	20,0	1.000
10316AA0014.0	M10	14,0	20,0	1.000
10316AA0012.0	M10	12,0	20,0	1.000
10316AA0010.0	M10	10,0	20,0	1.000
10316AA0008.0	M10	8,0	20,0	1.000
10316AA0004.0	M10	4,0	20,0	1.000
10316AA0006.0	M10	6,0	20,0	1.000
10317AA0009.0	M12	9,0	20,0	1.000
10317AA0010.0	M12	10,0	20,0	1.000
10317AA0012.0	M12	12,0	20,0	1.000
10317AA0015.0	M12	15,0	20,0	1.000
10317AA0020.0	M12	20,0	20,0	1.000
10317AA0025.0	M12	25,0	20,0	1.000
10317AA0030.0	M12	30,0	20,0	1.000
10317AA0035.0	M12	35,0	20,0	1.000
10317AA0040.0	M12	40,0	20,0	1.000
10317AA0045.0	M12	45,0	20,0	1.000