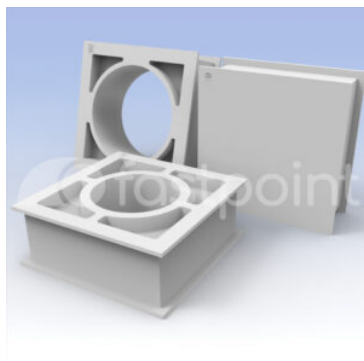


GOMMINI PASSACAVO SPH



Descrizione tecnica

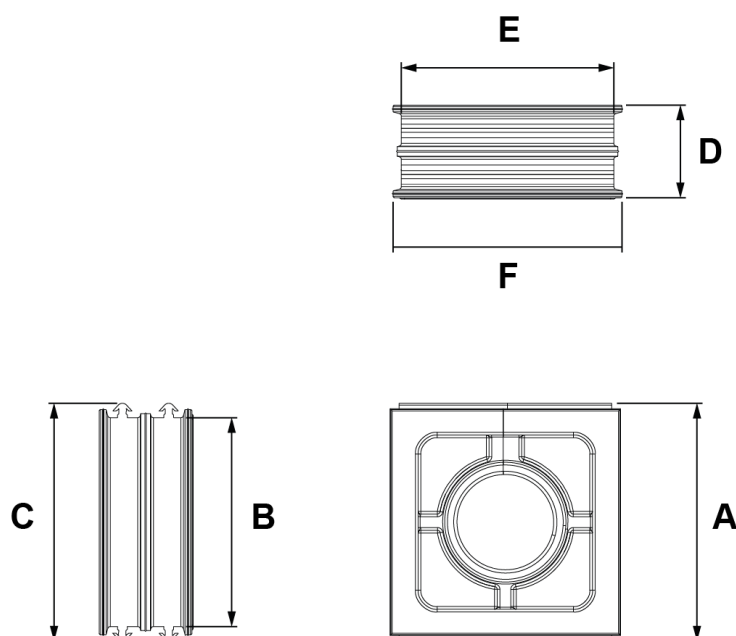
Materiale: TPE

Colore: Vedi tabella

Autoestinguenza: V0 (UL94)

Temperatura d'esercizio: -40°C ~ +110°C

Tutte le quote sono in mm



Codice	A	B	C	D	E	F	Ø Diametro cavo	Conf./pezzi
19261PS11	87,3	76,7	87,3	34,0	78,0	84,0	-	10
19262PS11	87,3	76,7	87,3	34,0	78,0	84,0	36,0 - 39,0	10

Codice	A	B	C	D	E	F	Ø Diametro cavo	Conf./pezzi
19263PS11	87,3	76,7	87,3	34,0	78,0	84,0	41,0 - 44,0	10
19264PS11	87,3	76,7	87,3	34,0	78,0	84,0	43,0 - 48,0	10
19265PS11	87,3	76,7	87,3	34,0	78,0	84,0	47,0 - 51,0	10
19266PS11	87,3	76,7	87,3	34,0	78,0	84,0	52,0 - 56,0	10
19267PS11	87,3	76,7	87,3	34,0	78,0	84,0	56,0 - 60,0	10
19268PS11	87,3	76,7	87,3	34,0	78,0	84,0	60,0 - 65,0	10