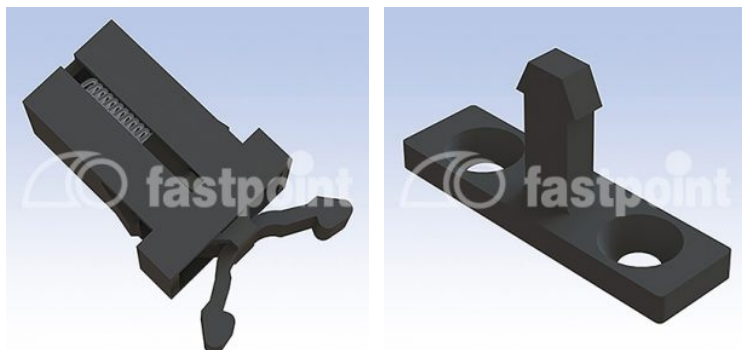


# PUSH-PUSH



## Descrizione tecnica

**Material Push Push:** See table

**Operating temperature:**

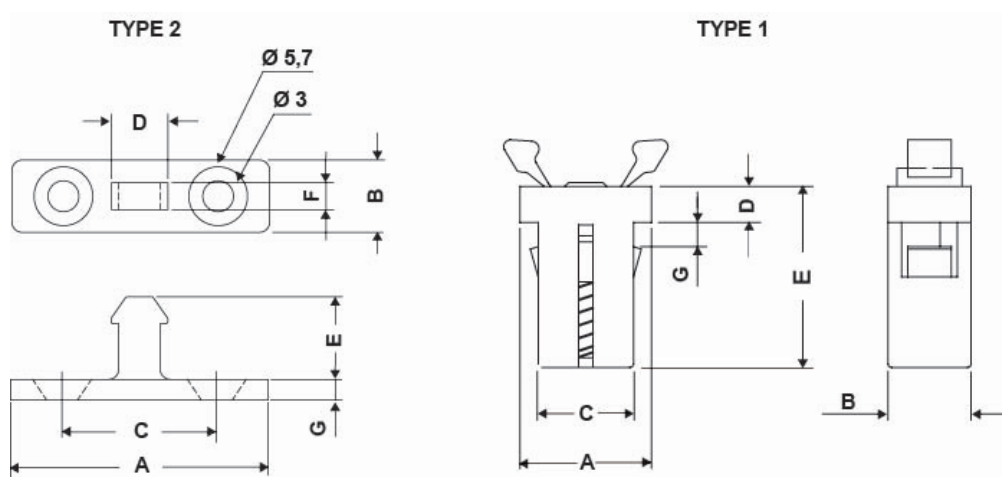
-10°C ~ +60°C

**Material male part:** See table

**Colour:** Black

**Operating temperature:**

-30°C ~ +90°C



Codice	A	B	C	D	E	F	G	Materiale	Type	Conf./pezzi
4715GA01PS	10,9	6,9	7,8	3,0	15,0	-	2,0	POM - PA 6.6	1	500
5545HA01	25,0	7,0	15,0	5,5	8,0	2,5	2,2	ABS	2	1.000
6500HA01PS	11,0	7,0	8,0	2,9	15,0	-	2,0	ABS - PA 6.6	1	1.000
7150GA01PS	11,0	6,9	7,8	3,0	15,3	-	2,0	POM - PA 6.6	1	1.000