

PRESSACAVI IN OTTONE PASSO PG IP68



Descrizione tecnica

Materiale: Ottone nichelato

Inserto lamellare: PA 6

Guarnizione: Policloroprene nitrile

O-ring: NBR

Grado di protezione = IP68

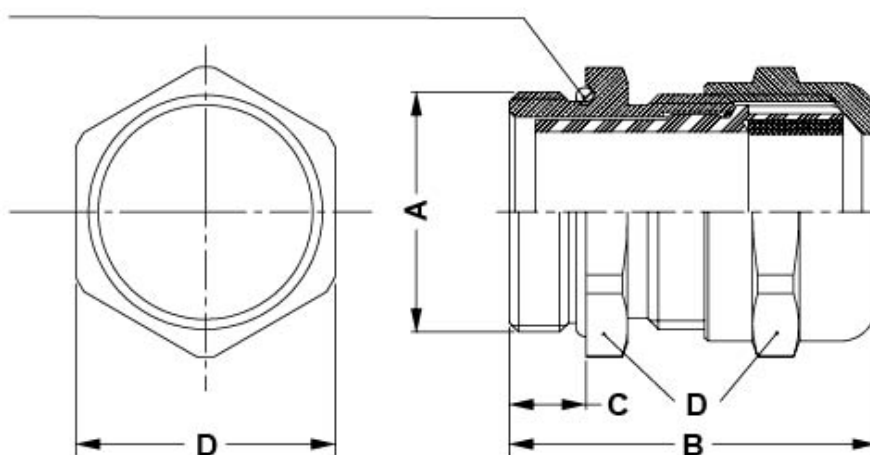
Temperatura d'esercizio: -40°C ~ +100° C

Tutte le quote sono in mm

Pg secondo DIN 40430



O-RING INCLUSO E MONTATO
O-RING INCLUDED AND MOUNTED



Codice	A	B	C	D	Ø Diametro cavo	Conf./pezzi
15172MA92	Pg 7	25,0	5,0	14,0	2,5 - 6,5	50
15173MA92	Pg 9	29,0	6,0	17,0	4,0 - 9,5	50

Codice	A	B	C	D	Ø Diametro cavo	Conf./pezzi
15174MA92	Pg 11	30,0	6,0	20,0	6,0 - 11,5	50
15175MA92	Pg 13	32,5	6,5	22,0	7,0 - 13,0	50
15176MA92	Pg 16	34,0	6,5	24,0	8,0 - 15,0	50
15177MA92	Pg 21	35,0	7,0	30,0	11,0 - 19,0	20
15178MA92	Pg 29	38,0	8,0	40,0	16,0 - 26,0	20
15179MA92	Pg 36	42,0	9,0	50,0	22,0 - 34,5	10
15180MA92	Pg 42	47,0	10,0	58,0	5	27,0 - 40,0
15181MA92	Pg 48 DIN	54,0	10,0	65,0	35,0 - 48,0	5