

# PRESSACAVI IN OTTONE PASSO METRICO EMC IP68



## Descrizione tecnica

**Materiale del corpo:** Ottone nichelato

**Anello di tenuta:** CR/NBR

**Inserto lamellare:** PA 6

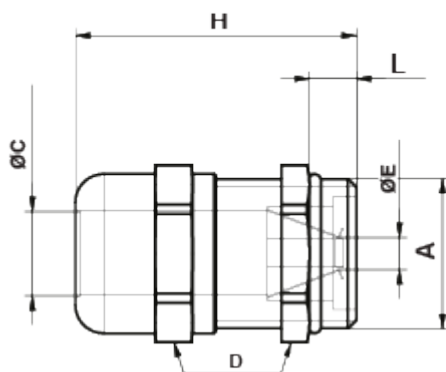
**O-Ring:** NBR

**Temperatura d'esercizio:** -40°C ~ +100°C

**Grado di protezione:** IP68

## Metrico secondo EN 60423

Tutte le quote sono in mm



| Codice    | A       | C         | E             | L   | D    | H    | Conf./pezzi |
|-----------|---------|-----------|---------------|-----|------|------|-------------|
| 18575MA92 | M16x1,5 | 5,0-9,0   | Ø 2,0 - 8,0   | 5,0 | 17,0 | 30,0 | 100         |
| 18576MA92 | M20x1,5 | 9,0-13,0  | Ø 3,0 - 11,0  | 6,0 | 22,0 | 33,5 | 100         |
| 18577MA92 | M25x1,5 | 11,0-16,0 | Ø 8,0 - 14,0  | 7,0 | 27,0 | 36,5 | 50          |
| 18578MA92 | M32x1,5 | 14,0-20,0 | Ø 10,0 - 19,0 | 8,0 | 34,0 | 38,0 | 25          |
| 18579MA92 | M40x1,5 | 19,0-27,0 | Ø 15,0 - 25,0 | 8,0 | 43,0 | 41,0 | 10          |
| 18580MA92 | M50x1,5 | 24,0-35,0 | Ø 22,0 - 33,0 | 9,0 | 55,0 | 49,5 | 5           |

| Codice    | A       | C         | E             | L    | D    | H    | Conf./pezzi |
|-----------|---------|-----------|---------------|------|------|------|-------------|
| 18581MA92 | M63x1,5 | 32,0-42,0 | Ø 31,0 - 40,0 | 10,0 | 65,0 | 52,5 | 5           |