

PASSACAVI MORBIDI IN TPE



Descrizione tecnica

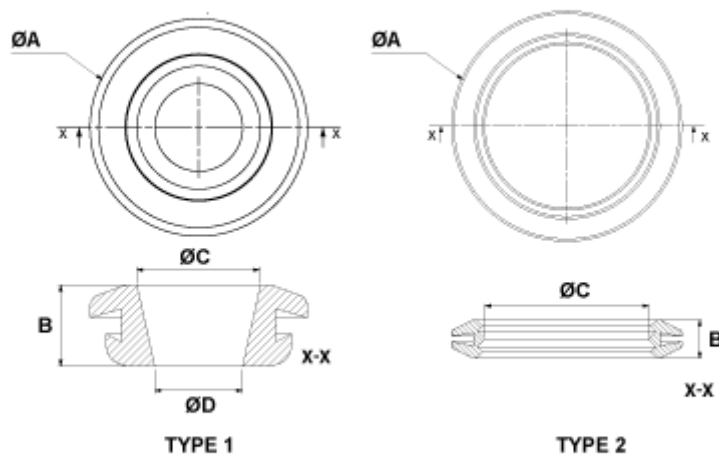
Materiale: TPE

Colore: nero

Temperatura esercizio:

-40°C ~ +100°C

Tutte le quote sono in mm.



Codice	A	B	C	D	Tubo	Spessore	Type	Foro	Conf./pezzi
17881PS01	67,0	25,0	38,0	27,0	Ø 32,0	5,0-10,0	1	48,0	1.000
17882PS01	70,0	20,0	43,0	36,0	54,0	Ø 40,0	5,0-10,0	1	100

Codice	A	B	C	D	Tubo	Spessore	Type	Foro	Conf./pezzi
17883PS01	54,0	Ø 43,0	5,0 - 13,0	1	100				
17884PS01	64,0	Ø 50,0	5,0 - 13,0	1	150				
17885PS01	79,0	Ø 63,0	5,0 - 13,0	1	100				
17886PS01	83,0	Ø 75,0	5,0 - 13,0	1	100				
17887PS01	114,0	Ø 90,0 - 100,0	5,0-10,0	1	100				
17888PS01	122,0	110,0	5,0 -12,0	1	100				
17889PS01	138,0	110,0 - 120,0	5,0 -12,0	1	100				
17890PS01	168,0	150,0 -160,0	5,0 -12,0	1	100				
17891PS01	86,0	Ø 75,0	5,0 - 10,0	2	120				
17892PS01	122,0	110,0	5,0 -12,0	2	60				
17893PS01	168,0	160,0	5,0 -12,0	2	36				