

PASSACAVI CON MEMBRANA IP67*



Descrizione tecnica

Materiale: Vedi Tabella

Colore: Vedi Tabella

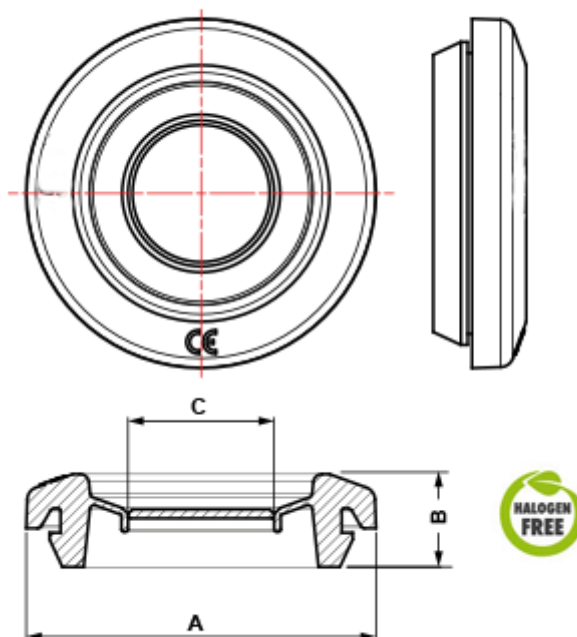
Autoestinguenza: Vedi Tabella

Temperatura d'esercizio: -40°C ~ + 100 °C

Tutte le quote sono in mm

Su richiesta speciale può essere fornito in TPE V0(UL94)

**M100, M120 IP 54



Codice	A	B	C	Passo	Foro	Spessore	Materiale	Colore	Conf./pezzi
16464PF019011	Ø18,0	9,0	2,0-6,0	M9	Ø 9,0	1,0 - 3,5	TPE 65 ShA	RAL 9011	500
16464PV02	Ø18,0	9,0	2,0-6,0	M9	Ø 9,0	1,0 - 3,5	TPE 60 ShA V0	Bianco - White - Weiß	500
16464PF117035	Ø18,0	9,0	2,0-6,0	M9	Ø 9,0	1,0 - 3,5	TPE 65 ShA	RAL 7035	500
22000PF019011	Ø 22,0	11,0	3,0 - 7,0	M12	Ø 12,0	1,5 - 4,5	TPE 65 ShA	RAL 9011	500
22000PV02	Ø 22,0	11,0	3,0 - 7,0	M12	Ø 12,0	1,5 - 4,5	TPE 60 ShA V0	Bianco - White - Weiß	500
22000PF117035	Ø 22,0	11,0	3,0 - 7,0	M12	Ø 12,0	1,5 - 4,5	TPE 65 ShA	RAL 7035	500
22001PV02	Ø 23,5	11,0	5,0 - 10,0	M16	Ø 16,0	1,5 - 4,5	TPE 60 ShA V0	Bianco - White - Weiß	500
22001PF019011	Ø 23,5	11,0	5,0 - 10,0	M16	Ø 16,0	1,5 - 4,5	TPE 65 ShA	RAL 9011	500
22001PF117035	Ø 23,5	11,0	5,0 - 10,0	M16	Ø 16,0	1,5 - 4,5	TPE 65 ShA	RAL 7035	500
22003PF117035	Ø 32,5	11,0	8,0 - 15,0	M25	Ø 20,0	1,5 - 4,5	TPE 65 ShA	RAL 7035	500
22002PF019011	Ø 27,5	11,0	5,0 - 12,0	M20	Ø 20,0	1,5 - 4,5	TPE 65 ShA	RAL 9011	500
22002PF117035	Ø 27,5	11,0	5,0 - 12,0	M20	Ø 20,0	1,5 - 4,5	TPE 65 ShA	RAL 7035	500
22002PV02	Ø 27,5	11,0	5,0 - 12,0	M20	Ø 20,0	1,5 - 4,5	TPE 60 ShA V0	Bianco - White - Weiß	500
22003PV02	Ø 32,5	11,0	8,0 - 15,0	M25	Ø 20,0	1,5 - 4,5	TPE 60 ShA V0	Bianco - White - Weiß	500
22003PF019011	Ø 32,5	11,0	8,0 - 15,0	M25	Ø 20,0	1,5 - 4,5	TPE 65 ShA	RAL 9011	500
16465PV02	Ø 32,5	11,0	10,0 - 14,0	PG 16	Ø 23,0	1,5 - 4,5	TPE 60 ShA V0	Bianco - White - Weiß	500
16465PF117035	Ø 32,5	11,0	10,0 - 14,0	PG 16	Ø 23,0	1,5 - 4,5	TPE 65 ShA	RAL 7035	500
16465PF019011	Ø 32,5	11,0	10,0 - 14,0	Ø 23,0	1,5 - 4,5	TPE 65 ShA	RAL 9011	500	PG 16

Codice	A	B	C	Passo	Foro	Spessore	Materiale	Colore	Conf./pezzi
22004PF117035	∅ 44,0	15,0	14,0 - 20,0	M32	∅ 32,0	1,5 - 4,5	TPE 65 ShA	RAL 7035	400
22004PV02	∅ 44,0	15,0	14,0 - 20,0	M32	∅ 32,0	1,5 - 4,5	TPE 60 ShA V0	Bianco - White - Weiß	400
22004PF019011	∅ 44,0	15,0	14,0 - 20,0	M32	∅ 32,0	1,5 - 4,5	TPE 65 ShA	RAL 9011	400
22005PV02	∅ 53,0	15,0	20,0 - 28,0	M40	∅ 40,0	1,5 - 4,5	TPE 60 ShA V0	Bianco - White - Weiß	250
22005PF019011	∅ 53,0	15,0	20,0 - 28,0	M40	∅ 40,0	1,5 - 4,5	TPE 65 ShA	RAL 9011	250
22005PF117035	∅ 53,0	15,0	20,0 - 28,0	M40	∅ 40,0	1,5 - 4,5	TPE 65 ShA	RAL 7035	250
22006PF019011	∅ 65,0	21,0	27,0 -35,0	M50	∅ 50,0	1,5 - 5,5	TPE 65 ShA	RAL 9011	150
22006PV02	∅ 65,0	21,0	27,0 -35,0	M50	∅ 50,0	1,5 - 5,5	TPE 60 ShA V0	Bianco - White - Weiß	150
22006PF027035	∅ 65,0	21,0	27,0 -35,0	M50	∅ 50,0	1,5 - 5,5	TPE 65 ShA	RAL 7035	150
22007PF019011	∅ 71,0	21,0	15,0 - 45,0	M60	∅ 60,0	1,5 - 5,5	TPE 65 ShA	RAL 9011	100
22007PV02	∅ 71,0	21,0	15,0 - 45,0	M60	∅ 60,0	1,5 - 5,5	TPE 60 ShA V0	Bianco - White - Weiß	100
22007PF117035	∅ 71,0	21,0	15,0 - 45,0	M60	∅ 60,0	1,5 - 5,5	TPE 65 ShA	RAL 7035	100
22008PF117035	∅ 93,0	25,0	20,0 - 60,0	M80	∅ 80,0	1,5 - 5,5	TPE 65 ShA	RAL 7035	50
22008PF019011	∅ 93,0	25,0	20,0 - 60,0	M80	∅ 80,0	1,5 - 5,5	TPE 65 ShA	RAL 9011	50
22008PV02	∅ 93,0	25,0	20,0 - 60,0	M80	∅ 80,0	1,5 - 5,5	TPE 60 ShA V0	Bianco - White - Weiß	50
16466PF019011	∅ 122,0	100,0	52,0 - 85,0	M100	∅ 100,0	1,5 - 5,5	TPE 65 ShA	RAL 9011	50
16466PF117035	∅ 122,0	100,0	52,0 - 85,0	M100	∅ 100,0	1,5 - 5,5	TPE 65 ShA	RAL 7035	50
16466PV02	∅ 122,0	100,0	52,0 - 85,0	M100	∅ 100,0	1,5 - 5,5	TPE 60 ShA V0	Bianco - White - Weiß	50

Codice	A	B	C	Passo	Foro	Spessore	Materiale	Colore	Conf./pezzi
12266PV02	Ø 142,0	26,0	70,0 - 100,0	M120	Ø 120,0	1,5 - 6,0	TPE 60 ShA V0	Bianco - White - Weiß	20
12266PF019011	Ø 142,0	26,0	70,0 - 100,0	M120	Ø 120,0	1,5 - 6,0	TPE 65 ShA	RAL 9011	20
12266PF117035	Ø 142,0	26,0	70,0 - 100,0	M120	Ø 120,0	1,5 - 6,0	TPE 65 ShA	RAL 7035	20