

FASCETTA STRINGITUBO A VITE "L" W2

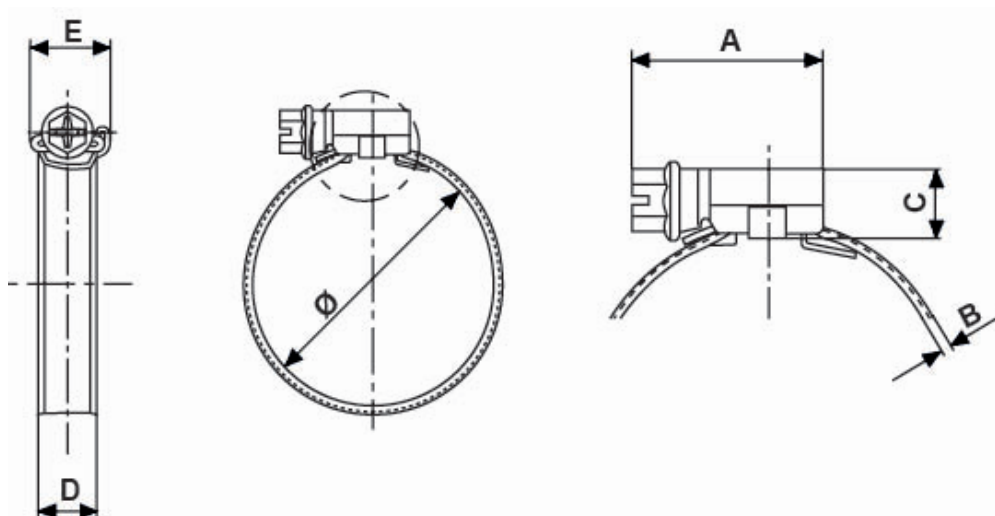


Descrizione tecnica

Materiale Vite: Acciaio zincato

Materiale nastro e carter: Acciaio inossidabile

Tutte le quote sono in mm



Codice	A	B	C	D	E	Ø Diametro (mm)	Valore Max Coppia Serraggio Nm	Valore Max Pressione (Bar)	Conf./pezzi
20700MD90	17,5 (max)	0,65 (+0,10)	8,4 (max)	7 (+0,3)	10,9 (max)	8-12	1,5	30,0	200
20701MD90	22,1 (max)	0,65 (+0,10)	10,5 (max)	9 (+0,3)	14,0 (max)	8-16	3,0	45,0	200
20702MD90	22,1 (max)	0,65 (+0,10)	10,5 (max)	9 (+0,3)	14,0 (max)	12-22	3,0	45,0	200
20703MD90	23,6 (max)	0,75 (+0,10)	10,5 (max)	9 (+0,3)	14,0 (max)	16-27	3,5	42,0	200

Codice	A	B	C	D	E	Ø Diametro (mm)	Valore Max Copia Serraggio Nm	Valore Max Pressione (Bar)	Conf./pezzi
20704MD90	23,6 (max)	0,75 (+0,10)	10,5 (max)	9 (+0,3)	14,0 (max)	20-32	3,5	36,0	200
20705MD90	25,6 (max)	0,75 (+0,10)	10,5 (max)	9 (+0,3)	14,0 (max)	25-40	4,0	32,0	100
20706MD90	25,6 (max)	0,75 (+0,10)	10,5 (max)	9 (+0,3)	14,0 (max)	30-45	4,0	28,0	100
20707MD90	25,6 (max)	0,75 (+0,10)	10,5 (max)	9 (+0,3)	14,0 (max)	32-50	4,0	24,0	100
20708MD90	25,6 (max)	0,75 (+0,10)	10,5 (max)	9 (+0,3)	14,0 (max)	40-60	4,0	19,0	100
20709MD90	29,6 (max)	0,75 (+0,10)	10,5 (max)	9 (+0,3)	14,0 (max)	50-70	4,0	17,0	100
20710MD90	29,6 (max)	0,75 (+0,10)	10,5 (max)	9 (+0,3)	14,0 (max)	60-80	4,0	15,0	100
20711MD90	29,6 (max)	0,75 (+0,10)	10,5 (max)	9 (+0,3)	14,0 (max)	70-90	4,0	13,0	50
20712MD90	29,6 (max)	0,75 (+0,10)	10,5 (max)	9 (+0,3)	14,0 (max)	80-100	4,0	11,0	50
20713MD90	29,6 (max)	0,75 (+0,10)	10,5 (max)	9 (+0,3)	14,0 (max)	90-110	4,0	10,0	25
20714MD90	29,6 (max)	0,75 (+0,10)	10,5 (max)	9 (+0,3)	14,0 (max)	100-120	4,0	9,0	25
20715MD90	29,6 (max)	0,75 (+0,10)	10,5 (max)	9 (+0,3)	14,0 (max)	110-130	4,0	8,0	25
20716MD90	29,6 (max)	0,75 (+0,10)	10,5 (max)	9 (+0,3)	14,0 (max)	120-140	4,0	7,0	25
20717MD90	29,6 (max)	0,75 (+0,10)	10,5 (max)	9 (+0,3)	14,0 (max)	130-150	4,0	6,0	25
20718MD90	29,6 (max)	0,75 (+0,10)	10,5 (max)	9 (+0,3)	14,0 (max)	140-160	4,0	5,0	25