

# DISTANZIATORI METRICI M3 CON AGGANCIO RAPIDO - FORO 5,5 X 5,5



## Descrizione tecnica

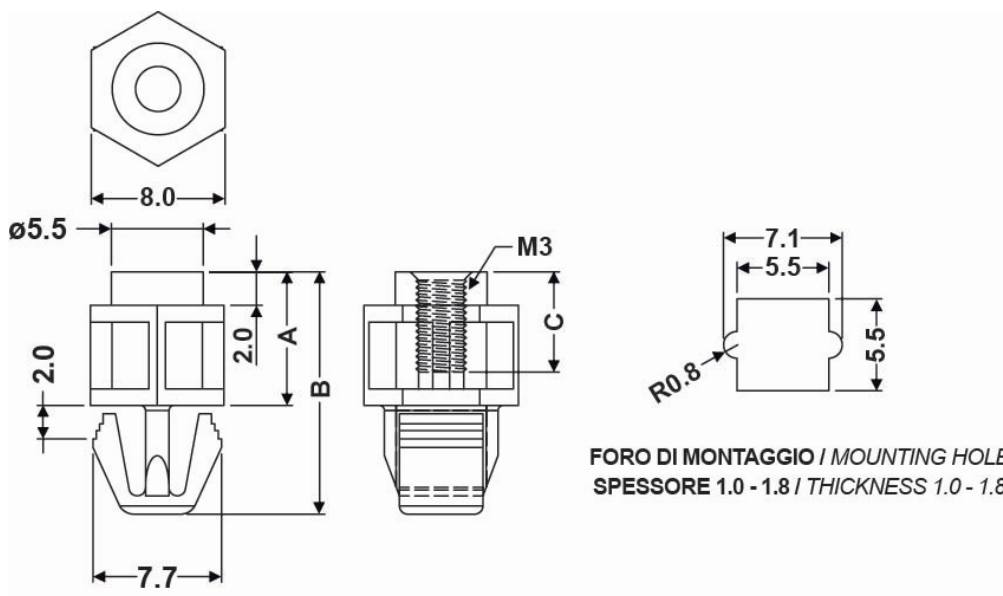
**Materiale:** PA 6.6

**Colore:** naturale

**Autoestinguenza:** V2 (UL 94)

**Temperatura esercizio:** -35°C ~ +85°C

Tutte le quote sono in mm



Codice	A	B	C	D	E	F	Spessore	Conf./pezzi
8357AA00	5,0	11,5	3,0	8,0	5,5	2,0	1,0 - 1,8	1.000
8358AA00	6,0	12,5	4,0	8,0	5,5	2,0	1,0 - 1,8	1.000
8359AA00	6,4	12,9	4,4	8,0	5,5	2,0	1,0 - 1,8	1.000

Codice	A	B	C	D	E	F	Spessore	Conf./pezzi
8360AA00	8,0	14,5	6,0	8,0	5,5	2,0	1,0 - 1,8	1.000
8361AA00	9,5	16,0	8,0	8,0	5,5	2,0	1,0 - 1,8	1.000
8362AA00	10,0	16,5	8,0	8,0	5,5	2,0	1,0 - 1,8	1.000
8363AA00	12,0	18,5	8,0	8,0	5,5	2,0	1,0 - 1,8	1.000
8364AA00	12,7	19,2	8,0	8,0	5,5	2,0	1,0 - 1,8	1.000
8365AA00	15,9	22,4	8,0	8,0	5,5	2,0	1,0 - 1,8	1.000
8366AA00	18,0	24,5	8,0	8,0	5,5	2,0	1,0 - 1,8	1.000
8367AA00	20,0	26,5	8,0	8,0	5,5	2,0	1,0 - 1,8	1.000
8368AA00	22,0	28,5	8,0	8,0	5,5	2,0	1,0 - 1,8	1.000
8369AA00	25,4	31,9	8,0	8,0	5,5	2,0	1,0 - 1,8	1.000