

# DISTANZIATORI METRICI M3 CON AGGANCIO RAPIDO Ø 4,0



## Descrizione tecnica

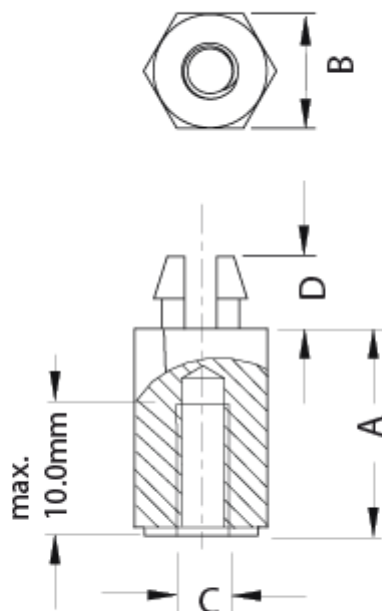
**Materiale:** PA 6.6

**Colore:** nero

**Autoestinguenza:** HB (UL 94)

**Temperatura esercizio:** -30°C ~ +150°C

Tutte le quote sono in mm



Codice	A	B	C	D	Foro	Spessore	Conf./pezzi
10024AA0105.0	5,0	6,0	M3	4,8	Ø 4,0	2,0	500
10024AA0106.0	6,0	6,0	M3	4,8	Ø 4,0	2,0	500
10024AA0107.0	7,0	6,0	M3	4,8	Ø 4,0	2,0	500
10024AA0108.0	8,0	6,0	M3	4,8	Ø 4,0	2,0	500
10024AA0109.0	9,0	6,0	M3	4,8	Ø 4,0	2,0	500
10024AA0110.0	10,0	6,0	M3	4,8	Ø 4,0	2,0	500
10024AA0111.0	11,0	6,0	M3	4,8	Ø 4,0	2,0	500
10024AA0112.0	12,0	6,0	M3	4,8	Ø 4,0	2,0	500
10024AA0113.0	13,0	6,0	M3	4,8	Ø 4,0	2,0	500
10024AA0114.0	14,0	6,0	M3	4,8	Ø 4,0	2,0	500
10024AA0115.0	15,0	6,0	M3	4,8	Ø 4,0	2,0	500
10024AA0116.0	16,0	6,0	M3	4,8	Ø 4,0	2,0	500
10024AA0117.0	17,0	6,0	M3	4,8	Ø 4,0	2,0	500
10024AA0118.0	18,0	6,0	M3	4,8	Ø 4,0	2,0	500
10024AA0119.0	19,0	6,0	M3	4,8	Ø 4,0	2,0	500
10024AA0120.0	20,0	6,0	M3	4,8	Ø 4,0	2,0	500
10024AA0121.0	21,0	6,0	M3	4,8	Ø 4,0	2,0	500
10024AA0122.0	22,0	6,0	M3	4,8	Ø 4,0	2,0	500
10024AA0123.0	23,0	6,0	M3	4,8	Ø 4,0	2,0	500
10024AA0124.0	24,0	6,0	M3	4,8	Ø 4,0	2,0	500
10024AA0125.0	25,0	6,0	M3	4,8	Ø 4,0	2,0	500
10024AA0126.0	26,0	6,0	M3	4,8	Ø 4,0	2,0	500
10024AA0127.0	27,0	6,0	M3	4,8	Ø 4,0	2,0	500
10024AA0128.0	28,0	6,0	M3	4,8	Ø 4,0	2,0	500
10024AA0129.0	29,0	6,0	M3	4,8	Ø 4,0	2,0	500
10024AA0130.0	30,0	6,0	M3	4,8	Ø 4,0	2,0	500
10024AA0131.0	31,0	6,0	M3	4,8	Ø 4,0	2,0	500
10024AA0132.0	32,0	6,0	M3	4,8	Ø 4,0	2,0	500
10024AA0133.0	33,0	6,0	M3	4,8	Ø 4,0	2,0	500
10024AA0135.0	35,0	6,0	M3	4,8	Ø 4,0	2,0	500
10024AA0136.0	36,0	6,0	M3	4,8	Ø 4,0	2,0	500

Codice	A	B	C	D	Foro	Spessore	Conf./pezzi
10024AA0137.0	37,0	6,0	M3	4,8	Ø 4,0	2,0	500
10024AA0138.0	38,0	6,0	M3	4,8	Ø 4,0	2,0	500
10024AA0139.0	39,0	6,0	M3	4,8	Ø 4,0	2,0	500
10024AA0140.0	40,0	6,0	M3	4,8	Ø 4,0	2,0	500
10024AA0141.0	41,0	6,0	M3	4,8	Ø 4,0	2,0	500
10024AA0142.0	42,0	6,0	M3	4,8	Ø 4,0	2,0	500
10024AA0143.0	43,0	6,0	M3	4,8	Ø 4,0	2,0	500
10024AA0144.0	44,0	6,0	M3	4,8	Ø 4,0	2,0	500
10024AA0145.0	45,0	6,0	M3	4,8	Ø 4,0	2,0	500
10024AA0146.0	46,0	6,0	M3	4,8	Ø 4,0	2,0	500
10024AA0147.0	47,0	6,0	M3	4,8	Ø 4,0	2,0	500
10024AA0148.0	48,0	6,0	M3	4,8	Ø 4,0	2,0	500
10024AA0149.0	49,0	6,0	M3	4,8	Ø 4,0	2,0	500
10024AA0150.0	50,0	6,0	M3	4,8	Ø 4,0	2,0	500
10024AA0151.0	51,0	6,0	M3	4,8	Ø 4,0	2,0	500
10024AA0152.0	52,0	6,0	M3	4,8	Ø 4,0	2,0	500
10024AA0153.0	53,0	6,0	M3	4,8	Ø 4,0	2,0	500
10024AA0154.0	54,0	6,0	M3	4,8	Ø 4,0	2,0	500
10024AA0155.0	55,0	6,0	M3	4,8	Ø 4,0	2,0	500
10024AA0156.0	56,0	6,0	M3	4,8	Ø 4,0	2,0	500
10024AA0157.0	57,0	6,0	M3	4,8	Ø 4,0	2,0	500
10024AA0158.0	58,0	6,0	M3	4,8	Ø 4,0	2,0	500
10024AA0159.0	59,0	6,0	M3	4,8	Ø 4,0	2,0	500
10024AA0160.0	60,0	6,0	M3	4,8	Ø 4,0	2,0	500
10024AA0161.0	61,0	6,0	M3	4,8	Ø 4,0	2,0	500