

## DISTANZIATORI METRICI M3 CILINDRICI Ø 8,0



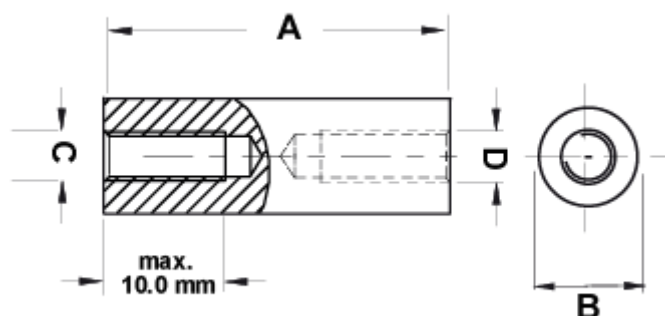
### Descrizione tecnica

**Materiale:** PA 6 , 25%GV

**Autoestinguenza:** HB (UL 94)

**Colore:** nero

**Temperatura esercizio:** -35°C ~ +100°C



Codice	A	B	C	D	Conf./pezzi
10044BB0105.0	5,0	Ø 8,0	M3	M3	500
10044BB0106.0	6,0	Ø 8,0	M3	M3	500
10044BB0107.0	7,0	Ø 8,0	M3	M3	500
10044BB0108.0	8,0	Ø 8,0	M3	M3	500
10044BB0109.0	9,0	Ø 8,0	M3	M3	500
10044BB0110.0	10,0	Ø 8,0	M3	M3	500
10044BB0111.0	11,0	Ø 8,0	M3	M3	500
10044BB0112.0	12,0	Ø 8,0	M3	M3	500
10044BB0113.0	13,0	Ø 8,0	M3	M3	500
10044BB0114.0	14,0	Ø 8,0	M3	M3	500

Codice	A	B	C	D	Conf./pezzi
10044BB0115.0	15,0	Ø 8,0	M3	M3	500
10044BB0116.0	16,0	Ø 8,0	M3	M3	500
10044BB0117.0	17,0	Ø 8,0	M3	M3	500
10044BB0118.0	18,0	Ø 8,0	M3	M3	500
10044BB0119.0	19,0	Ø 8,0	M3	M3	500
10044BB0120.0	20,0	Ø 8,0	M3	M3	500
10044BB0121.0	21,0	Ø 8,0	M3	M3	500
10044BB0122.0	22,0	Ø 8,0	M3	M3	500
10044BB0123.0	23,0	Ø 8,0	M3	M3	500
10044BB0124.0	24,0	Ø 8,0	M3	M3	500
10044BB0125.0	25,0	Ø 8,0	M3	M3	500
10044BB0126.0	26,0	Ø 8,0	M3	M3	500
10044BB0127.0	27,0	Ø 8,0	M3	M3	500
10044BB0128.0	28,0	Ø 8,0	M3	M3	500
10044BB0129.0	29,0	Ø 8,0	M3	M3	500
10044BB0130.0	30,0	Ø 8,0	M3	M3	500
10044BB0131.0	31,0	Ø 8,0	M3	M3	500
10044BB0132.0	32,0	Ø 8,0	M3	M3	500
10044BB0133.0	33,0	Ø 8,0	M3	M3	500
10044BB0134.0	34,0	Ø 8,0	M3	M3	500
10044BB0135.0	35,0	Ø 8,0	M3	M3	500
10044BB0136.0	36,0	Ø 8,0	M3	M3	500
10044BB0137.0	37,0	Ø 8,0	M3	M3	500
10044BB0138.0	38,0	Ø 8,0	M3	M3	500
10044BB0139.0	39,0	Ø 8,0	M3	M3	500
10044BB0140.0	40,0	Ø 8,0	M3	M3	500
10044BB0141.0	41,0	Ø 8,0	M3	M3	500
10044BB0142.0	42,0	Ø 8,0	M3	M3	500
10044BB0143.0	43,0	Ø 8,0	M3	M3	500
10044BB0144.0	44,0	Ø 8,0	M3	M3	500
10044BB0145.0	45,0	Ø 8,0	M3	M3	500

Codice	A	B	C	D	Conf./pezzi
10044BB0146.0	46,0	Ø 8,0	M3	M3	500
10044BB0147.0	47,0	Ø 8,0	M3	M3	500
10044BB0148.0	48,0	Ø 8,0	M3	M3	500
10044BB0149.0	49,0	Ø 8,0	M3	M3	500
10044BB0150.0	50,0	Ø 8,0	M3	M3	500
10044BB0151.0	51,0	Ø 8,0	M3	M3	500
10044BB0152.0	52,0	Ø 8,0	M3	M3	500
10044BB0153.0	53,0	Ø 8,0	M3	M3	500
10044BB0154.0	54,0	Ø 8,0	M3	M3	500
10044BB0155.0	55,0	Ø 8,0	M3	M3	500
10044BB0156.0	56,0	Ø 8,0	M3	M3	500
10044BB0157.0	57,0	Ø 8,0	M3	M3	500
10044BB0158.0	58,0	Ø 8,0	M3	M3	500
10044BB0159.0	59,0	Ø 8,0	M3	M3	500
10044BB0160.0	60,0	Ø 8,0	M3	M3	500