

DISTANZIATORI METRICI M3 CILINDRICI Ø 7,0



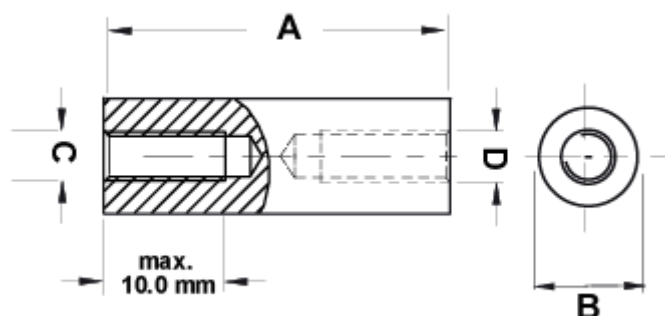
Descrizione tecnica

Materiale: PA 6 , 25%GV

Autoestinguenza: HB (UL 94)

Colore: nero

Temperatura esercizio: -30°C ~ +100°C



| Codice | A | B | C | D | Conf./pezzi |
|---------------|------|-------|----|----|-------------|
| 10042BB0103.0 | 3,0 | Ø 7,0 | M3 | M3 | 500 |
| 10042BB0104.0 | 4,0 | Ø 7,0 | M3 | M3 | 500 |
| 10042BB0105.0 | 5,0 | Ø 7,0 | M3 | M3 | 500 |
| 10042BB0106.0 | 6,0 | Ø 7,0 | M3 | M3 | 500 |
| 10042BB0107.0 | 7,0 | Ø 7,0 | M3 | M3 | 500 |
| 10042BB0108.0 | 8,0 | Ø 7,0 | M3 | M3 | 500 |
| 10042BB0109.0 | 9,0 | Ø 7,0 | M3 | M3 | 500 |
| 10042BB0110.0 | 10,0 | Ø 7,0 | M3 | M3 | 500 |
| 10042BB0111.0 | 11,0 | Ø 7,0 | M3 | M3 | 500 |
| 10042BB0112.0 | 12,0 | Ø 7,0 | M3 | M3 | 500 |

| Codice | A | B | C | D | Conf./pezzi |
|---------------|------|-------|----|----|-------------|
| 10042BB0113.0 | 13,0 | Ø 7,0 | M3 | M3 | 500 |
| 10042BB0114.0 | 14,0 | Ø 7,0 | M3 | M3 | 500 |
| 10042BB0115.0 | 15,0 | Ø 7,0 | M3 | M3 | 500 |
| 10042BB0116.0 | 16,0 | Ø 7,0 | M3 | M3 | 500 |
| 10042BB0117.0 | 17,0 | Ø 7,0 | M3 | M3 | 500 |
| 10042BB0118.0 | 18,0 | Ø 7,0 | M3 | M3 | 500 |
| 10042BB0119.0 | 19,0 | Ø 7,0 | M3 | M3 | 500 |
| 10042BB0120.0 | 20,0 | Ø 7,0 | M3 | M3 | 500 |
| 10042BB0121.0 | 21,0 | Ø 7,0 | M3 | M3 | 500 |
| 10042BB0122.0 | 22,0 | Ø 7,0 | M3 | M3 | 500 |
| 10042BB0123.0 | 23,0 | Ø 7,0 | M3 | M3 | 500 |
| 10042BB0124.0 | 24,0 | Ø 7,0 | M3 | M3 | 500 |
| 10042BB0125.0 | 25,0 | Ø 7,0 | M3 | M3 | 500 |
| 10042BB0126.0 | 26,0 | Ø 7,0 | M3 | M3 | 500 |
| 10042BB0127.0 | 27,0 | Ø 7,0 | M3 | M3 | 500 |
| 10042BB0128.0 | 28,0 | Ø 7,0 | M3 | M3 | 500 |
| 10042BB0129.0 | 29,0 | Ø 7,0 | M3 | M3 | 500 |
| 10042BB0130.0 | 30,0 | Ø 7,0 | M3 | M3 | 500 |
| 10042BB0131.0 | 31,0 | Ø 7,0 | M3 | M3 | 500 |
| 10042BB0132.0 | 32,0 | Ø 7,0 | M3 | M3 | 500 |
| 10042BB0133.0 | 33,0 | Ø 7,0 | M3 | M3 | 500 |
| 10042BB0134.0 | 34,0 | Ø 7,0 | M3 | M3 | 500 |
| 10042BB0135.0 | 35,0 | Ø 7,0 | M3 | M3 | 500 |
| 10042BB0136.0 | 36,0 | Ø 7,0 | M3 | M3 | 500 |
| 10042BB0137.0 | 37,0 | Ø 7,0 | M3 | M3 | 500 |
| 10042BB0138.0 | 38,0 | Ø 7,0 | M3 | M3 | 500 |
| 10042BB0139.0 | 39,0 | Ø 7,0 | M3 | M3 | 500 |
| 10042BB0140.0 | 40,0 | Ø 7,0 | M3 | M3 | 500 |
| 10042BB0141.0 | 41,0 | Ø 7,0 | M3 | M3 | 500 |
| 10042BB0142.0 | 42,0 | Ø 7,0 | M3 | M3 | 500 |
| 10042BB0143.0 | 43,0 | Ø 7,0 | M3 | M3 | 500 |

| Codice | A | B | C | D | Conf./pezzi |
|---------------|------|-------|----|----|-------------|
| 10042BB0144.0 | 44,0 | Ø 7,0 | M3 | M3 | 500 |
| 10042BB0145.0 | 45,0 | Ø 7,0 | M3 | M3 | 500 |
| 10042BB0146.0 | 46,0 | Ø 7,0 | M3 | M3 | 500 |
| 10042BB0147.0 | 47,0 | Ø 7,0 | M3 | M3 | 500 |
| 10042BB0148.0 | 48,0 | Ø 7,0 | M3 | M3 | 500 |
| 10042BB0149.0 | 49,0 | Ø 7,0 | M3 | M3 | 500 |
| 10042BB0150.0 | 50,0 | Ø 7,0 | M3 | M3 | 500 |
| 10042BB0151.0 | 51,0 | Ø 7,0 | M3 | M3 | 500 |
| 10042BB0152.0 | 52,0 | Ø 7,0 | M3 | M3 | 500 |
| 10042BB0153.0 | 53,0 | Ø 7,0 | M3 | M3 | 500 |
| 10042BB0154.0 | 54,0 | Ø 7,0 | M3 | M3 | 500 |
| 10042BB0155.0 | 55,0 | Ø 7,0 | M3 | M3 | 500 |
| 10042BB0156.0 | 56,0 | Ø 7,0 | M3 | M3 | 500 |
| 10042BB0157.0 | 57,0 | Ø 7,0 | M3 | M3 | 500 |
| 10042BB0158.0 | 58,0 | Ø 7,0 | M3 | M3 | 500 |
| 10042BB0159.0 | 59,0 | Ø 7,0 | M3 | M3 | 500 |
| 10042BB0160.0 | 60,0 | Ø 7,0 | M3 | M3 | 500 |
| 10042BB0161.0 | 61,0 | Ø 7,0 | M3 | M3 | 500 |
| 10042BB0162.0 | 62,0 | Ø 7,0 | M3 | M3 | 500 |