

DISTANZIATORI METRICI M3 CILINDRICI Ø 6,0



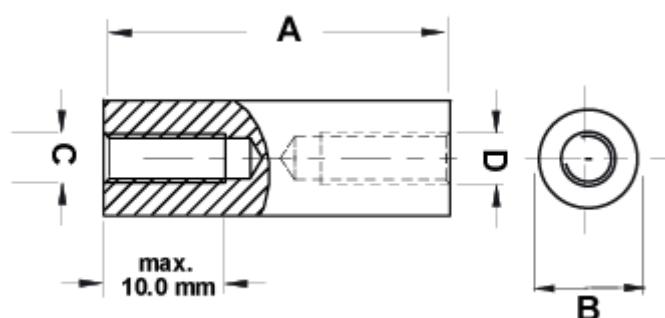
Descrizione tecnica

Materiale: PA 6 , 25%

Autoestinguenza: HB (UL 94)

Colore: nero

Temperatura esercizio: -30°C ~ +100°C



Codice	A	B	C	D	Conf./pezzi
10041BB0103.0	3,0	Ø 6,0	M3	M3	500
10041BB0104.0	4,0	Ø 6,0	M3	M3	500
10041BB0105.0	5,0	Ø 6,0	M3	M3	500
10041BB0106.0	6,0	Ø 6,0	M3	M3	500
10041BB0107.0	7,0	Ø 6,0	M3	M3	500
10041BB0108.0	8,0	Ø 6,0	M3	M3	500
10041BB0109.0	9,0	Ø 6,0	M3	M3	500
10041BB0110.0	10,0	Ø 6,0	M3	M3	500
10041BB0111.0	11,0	Ø 6,0	M3	M3	500
10041BB0112.0	12,0	Ø 6,0	M3	M3	500

Codice	A	B	C	D	Conf./pezzi
10041BB0113.0	13,0	Ø 6,0	M3	M3	500
10041BB0114.0	14,0	Ø 6,0	M3	M3	500
10041BB0115.0	15,0	Ø 6,0	M3	M3	500
10041BB0116.0	16,0	Ø 6,0	M3	M3	500
10041BB0117.0	17,0	Ø 6,0	M3	M3	500
10041BB0118.0	18,0	Ø 6,0	M3	M3	500
10041BB0119.0	19,0	Ø 6,0	M3	M3	500
10041BB0120.0	20,0	Ø 6,0	M3	M3	500
10041BB0121.0	21,0	Ø 6,0	M3	M3	500
10041BB0122.0	22,0	Ø 6,0	M3	M3	500
10041BB0123.0	23,0	Ø 6,0	M3	M3	500
10041BB0124.0	24,0	Ø 6,0	M3	M3	500
10041BB0125.0	25,0	Ø 6,0	M3	M3	500
10041BB0126.0	26,0	Ø 6,0	M3	M3	500
10041BB0127.0	27,0	Ø 6,0	M3	M3	500
10041BB0128.0	28,0	Ø 6,0	M3	M3	500
10041BB0129.0	29,0	Ø 6,0	M3	M3	500
10041BB0130.0	30,0	Ø 6,0	M3	M3	500
10041BB0131.0	31,0	Ø 6,0	M3	M3	500
10041BB0132.0	32,0	Ø 6,0	M3	M3	500
10041BB0133.0	33,0	Ø 6,0	M3	M3	500
10041BB0134.0	34,0	Ø 6,0	M3	M3	500
10041BB0135.0	35,0	Ø 6,0	M3	M3	500
10041BB0136.0	36,0	Ø 6,0	M3	M3	500
10041BB0137.0	37,0	Ø 6,0	M3	M3	500
10041BB0138.0	38,0	Ø 6,0	M3	M3	500
10041BB0139.0	39,0	Ø 6,0	M3	M3	500
10041BB0140.0	40,0	Ø 6,0	M3	M3	500
10041BB0141.0	41,0	Ø 6,0	M3	M3	500
10041BB0142.0	42,0	Ø 6,0	M3	M3	500
10041BB0143.0	43,0	Ø 6,0	M3	M3	500

Codice	A	B	C	D	Conf./pezzi
10041BB0144.0	44,0	Ø 6,0	M3	M3	500
10041BB0145.0	45,0	Ø 6,0	M3	M3	500
10041BB0146.0	46,0	Ø 6,0	M3	M3	500
10041BB0147.0	47,0	Ø 6,0	M3	M3	500
10041BB0148.0	48,0	Ø 6,0	M3	M3	500
10041BB0149.0	49,0	Ø 6,0	M3	M3	500
10041BB0150.0	50,0	Ø 6,0	M3	M3	500
10041BB0151.0	51,0	Ø 6,0	M3	M3	500
10041BB0152.0	52,0	Ø 6,0	M3	M3	500
10041BB0153.0	53,0	Ø 6,0	M3	M3	500
10041BB0154.0	54,0	Ø 6,0	M3	M3	500
10041BB0155.0	55,0	Ø 6,0	M3	M3	500
10041BB0156.0	56,0	Ø 6,0	M3	M3	500
10041BB0157.0	57,0	Ø 6,0	M3	M3	500
10041BB0158.0	58,0	Ø 6,0	M3	M3	500
10041BB0159.0	59,0	Ø 6,0	M3	M3	500
10041BB0160.0	60,0	Ø 6,0	M3	M3	500
10041BB0161.0	61,0	Ø 6,0	M3	M3	500
10041BB0162.0	62,0	Ø 6,0	M3	M3	500