

DISTANZIATORI METRICI M2,5 CILINDRICI Ø 6,0



Descrizione tecnica

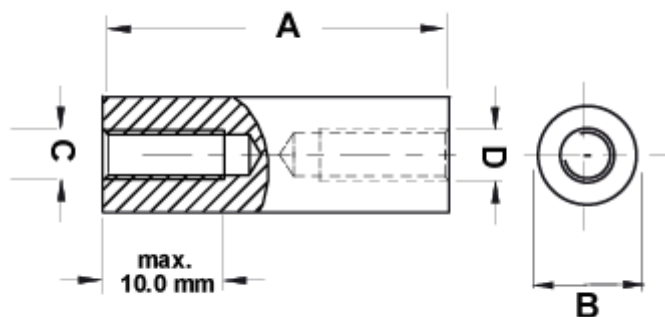
Materiale: PA 6 , 25%GV

Autoestinguenza: HB (UL 94)

Colore: nero

Temperatura esercizio: -30°C ~ +100°C

Tutte le quote sono in mm.



Codice	A	B	C	D	Conf./pezzi
10039BB0104.0	4,0	Ø 6,0	M2.5	M2.5	500
10039BB0105.0	5,0	Ø 6,0	M2.5	M2.5	500
10039BB0106.0	6,0	Ø 6,0	M2.5	M2.5	500
10039BB0107.0	7,0	Ø 6,0	M2.5	M2.5	500
10039BB0108.0	8,0	Ø 6,0	M2.5	M2.5	500
10039BB0109.0	9,0	Ø 6,0	M2.5	M2.5	500
10039BB0110.0	10,0	Ø 6,0	M2.5	M2.5	500
10039BB0111.0	11,0	Ø 6,0	M2.5	M2.5	500

Codice	A	B	C	D	Conf./pezzi
10039BB0112.0	12,0	Ø 6,0	M2.5	M2.5	500
10039BB0113.0	13,0	Ø 6,0	M2.5	M2.5	500
10039BB0114.0	14,0	Ø 6,0	M2.5	M2.5	500
10039BB0115.0	15,0	Ø 6,0	M2.5	M2.5	500
10039BB0116.0	16,0	Ø 6,0	M2.5	M2.5	500
10039BB0117.0	17,0	Ø 6,0	M2.5	M2.5	500
10039BB0118.0	18,0	Ø 6,0	M2.5	M2.5	500
10039BB0119.0	19,0	Ø 6,0	M2.5	M2.5	500
10039BB0120.0	20,0	Ø 6,0	M2.5	M2.5	500
10039BB0121.0	21,0	Ø 6,0	M2.5	M2.5	500
10039BB0122.0	22,0	Ø 6,0	M2.5	M2.5	500
10039BB0123.0	23,0	Ø 6,0	M2.5	M2.5	500
10039BB0124.0	24,0	Ø 6,0	M2.5	M2.5	500
10039BB0125.0	25,0	Ø 6,0	M2.5	M2.5	500
10039BB0126.0	26,0	Ø 6,0	M2.5	M2.5	500
10039BB0127.0	27,0	Ø 6,0	M2.5	M2.5	500
10039BB0128.0	28,0	Ø 6,0	M2.5	M2.5	500
10039BB0129.0	29,0	Ø 6,0	M2.5	M2.5	500
10039BB0130.0	30,0	Ø 6,0	M2.5	M2.5	500
10039BB0131.0	31,0	Ø 6,0	M2.5	M2.5	500
10039BB0132.0	32,0	Ø 6,0	M2.5	M2.5	500
10039BB0133.0	33,0	Ø 6,0	M2.5	M2.5	500
10039BB0134.0	34,0	Ø 6,0	M2.5	M2.5	500
10039BB0135.0	35,0	Ø 6,0	M2.5	M2.5	500
10039BB0136.0	36,0	Ø 6,0	M2.5	M2.5	500
10039BB0137.0	37,0	Ø 6,0	M2.5	M2.5	500
10039BB0138.0	38,0	Ø 6,0	M2.5	M2.5	500
10039BB0139.0	39,0	Ø 6,0	M2.5	M2.5	500
10039BB0140.0	40,0	Ø 6,0	M2.5	M2.5	500
10039BB0141.0	41,0	Ø 6,0	M2.5	M2.5	500
10039BB0142.0	42,0	Ø 6,0	M2.5	M2.5	500

Codice	A	B	C	D	Conf./pezzi
10039BB0143.0	43,0	Ø 6,0	M2.5	M2.5	500
10039BB0144.0	44,0	Ø 6,0	M2.5	M2.5	500
10039BB0145.0	45,0	Ø 6,0	M2.5	M2.5	500
10039BB0146.0	46,0	Ø 6,0	M2.5	M2.5	500
10039BB0147.0	47,0	Ø 6,0	M2.5	M2.5	500
10039BB0148.0	48,0	Ø 6,0	M2.5	M2.5	500
10039BB0149.0	49,0	Ø 6,0	M2.5	M2.5	500
10039BB0150.0	50,0	Ø 6,0	M2.5	M2.5	500
10039BB0151.0	51,0	Ø 6,0	M2.5	M2.5	500
10039BB0152.0	52,0	Ø 6,0	M2.5	M2.5	500
10039BB0153.0	53,0	Ø 6,0	M2.5	M2.5	500
10039BB0154.0	54,0	Ø 6,0	M2.5	M2.5	500
10039BB0155.0	55,0	Ø 6,0	M2.5	M2.5	500