

DISTANZIATORI METRICI M2,5 CILINDRICI Ø 5,0



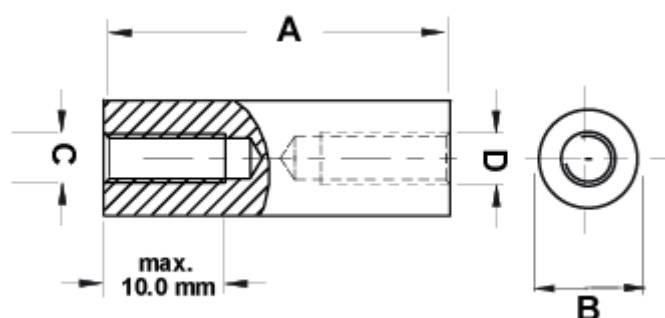
Descrizione tecnica

Materiale: PA 6 , 25%GV

Autoestinguenza: HB (UL 94)

Colore: nero

Temperatura esercizio: -30°C ~ +100°C



Codice	A	B	C	D	Conf./pezzi
10038BB0104.0	4,0	Ø 5,0	M2.5	M2.5	500
10038BB0105.0	5,0	Ø 5,0	M2.5	M2.5	500
10038BB0106.0	6,0	Ø 5,0	M2.5	M2.5	500
10038BB0107.0	7,0	Ø 5,0	M2.5	M2.5	500
10038BB0108.0	8,0	Ø 5,0	M2.5	M2.5	500
10038BB0109.0	9,0	Ø 5,0	M2.5	M2.5	500
10038BB0110.0	10,0	Ø 5,0	M2.5	M2.5	500
10038BB0111.0	11,0	Ø 5,0	M2.5	M2.5	500
10038BB0112.0	12,0	Ø 5,0	M2.5	M2.5	500
10038BB0113.0	13,0	Ø 5,0	M2.5	M2.5	500

Codice	A	B	C	D	Conf./pezzi
10038BB0114.0	14,0	Ø 5,0	M2.5	M2.5	500
10038BB0115.0	15,0	Ø 5,0	M2.5	M2.5	500
10038BB0116.0	16,0	Ø 5,0	M2.5	M2.5	500
10038BB0117.0	17,0	Ø 5,0	M2.5	M2.5	500
10038BB0118.0	18,0	Ø 5,0	M2.5	M2.5	500
10038BB0119.0	19,0	Ø 5,0	M2.5	M2.5	500
10038BB0120.0	20,0	Ø 5,0	M2.5	M2.5	500
10038BB0121.0	21,0	Ø 5,0	M2.5	M2.5	500
10038BB0122.0	22,0	Ø 5,0	M2.5	M2.5	500
10038BB0123.0	23,0	Ø 5,0	M2.5	M2.5	500
10038BB0124.0	24,0	Ø 5,0	M2.5	M2.5	500
10038BB0125.0	25,0	Ø 5,0	M2.5	M2.5	500
10038BB0126.0	26,0	Ø 5,0	M2.5	M2.5	500
10038BB0127.0	27,0	Ø 5,0	M2.5	M2.5	500
10038BB0128.0	28,0	Ø 5,0	M2.5	M2.5	500
10038BB0129.0	29,0	Ø 5,0	M2.5	M2.5	500
10038BB0130.0	30,0	Ø 5,0	M2.5	M2.5	500
10038BB0131.0	31,0	Ø 5,0	M2.5	M2.5	500
10038BB0132.0	32,0	Ø 5,0	M2.5	M2.5	500
10038BB0133.0	33,0	Ø 5,0	M2.5	M2.5	500
10038BB0134.0	34,0	Ø 5,0	M2.5	M2.5	500
10038BB0135.0	35,0	Ø 5,0	M2.5	M2.5	500
10038BB0136.0	36,0	Ø 5,0	M2.5	M2.5	500
10038BB0137.0	37,0	Ø 5,0	M2.5	M2.5	500
10038BB0138.0	38,0	Ø 5,0	M2.5	M2.5	500
10038BB0139.0	39,0	Ø 5,0	M2.5	M2.5	500
10038BB0140.0	40,0	Ø 5,0	M2.5	M2.5	500
10038BB0141.0	41,0	Ø 5,0	M2.5	M2.5	500
10038BB0142.0	42,0	Ø 5,0	M2.5	M2.5	500
10038BB0143.0	43,0	Ø 5,0	M2.5	M2.5	500
10038BB0144.0	44,0	Ø 5,0	M2.5	M2.5	500

Codice	A	B	C	D	Conf./pezzi
10038BB0145.0	45,0	Ø 5,0	M2.5	M2.5	500
10038BB0146.0	46,0	Ø 5,0	M2.5	M2.5	500
10038BB0147.0	47,0	Ø 5,0	M2.5	M2.5	500
10038BB0148.0	48,0	Ø 5,0	M2.5	M2.5	500
10038BB0149.0	49,0	Ø 5,0	M2.5	M2.5	500
10038BB0150.0	50,0	Ø 5,0	M2.5	M2.5	500
10038BB0151.0	51,0	Ø 5,0	M2.5	M2.5	500
10038BB0152.0	52,0	Ø 5,0	M2.5	M2.5	500
10038BB0153.0	53,0	Ø 5,0	M2.5	M2.5	500
10038BB0154.0	54,0	Ø 5,0	M2.5	M2.5	500
10038BB0155.0	55,0	Ø 5,0	M2.5	M2.5	500