

DISTANZIATORI METRICI M2 CILINDRICI Ø 5,0



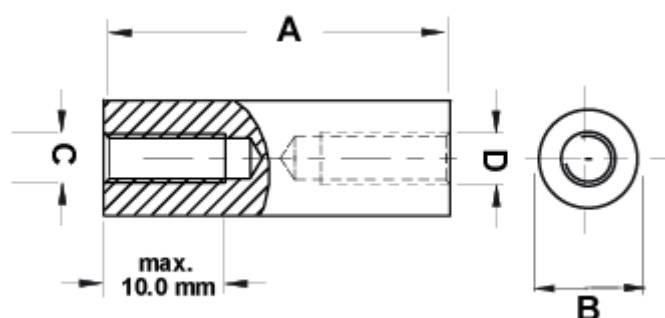
Descrizione tecnica

Materiale: PA 6 , 25%GV

Autoestinguenza: HB (UL 94)

Colore: nero

Temperatura esercizio: -30°C ~ +110°C



Codice	A	B	C	D	Conf./pezzi
10037BB0104.0	4,0	Ø 5,0	M2	M2	500
10037BB0105.0	5,0	Ø 5,0	M2	M2	500
10037BB0106.0	6,0	Ø 5,0	M2	M2	500
10037BB0107.0	7,0	Ø 5,0	M2	M2	500
10037BB0108.0	8,0	Ø 5,0	M2	M2	500
10037BB0109.0	9,0	Ø 5,0	M2	M2	500
10037BB0110.0	10,0	Ø 5,0	M2	M2	500
10037BB0111.0	11,0	Ø 5,0	M2	M2	500
10037BB0112.0	12,0	Ø 5,0	M2	M2	500
10037BB0113.0	13,0	Ø 5,0	M2	M2	500

Codice	A	B	C	D	Conf./pezzi
10037BB0114.0	14,0	Ø 5,0	M2	M2	500
10037BB0115.0	15,0	Ø 5,0	M2	M2	500
10037BB0116.0	16,0	Ø 5,0	M2	M2	500
10037BB0117.0	17,0	Ø 5,0	M2	M2	500
10037BB0118.0	18,0	Ø 5,0	M2	M2	500
10037BB0119.0	19,0	Ø 5,0	M2	M2	500
10037BB0120.0	20,0	Ø 5,0	M2	M2	500
10037BB0121.0	21,0	Ø 5,0	M2	M2	500
10037BB0122.0	22,0	Ø 5,0	M2	M2	500
10037BB0123.0	23,0	Ø 5,0	M2	M2	500
10037BB0124.0	24,0	Ø 5,0	M2	M2	500
10037BB0125.0	25,0	Ø 5,0	M2	M2	500
10037BB0126.0	26,0	Ø 5,0	M2	M2	500
10037BB0127.0	27,0	Ø 5,0	M2	M2	500
10037BB0128.0	28,0	Ø 5,0	M2	M2	500
10037BB0129.0	29,0	Ø 5,0	M2	M2	500
10037BB0130.0	30,0	Ø 5,0	M2	M2	500
10037BB0131.0	31,0	Ø 5,0	M2	M2	500
10037BB0132.0	32,0	Ø 5,0	M2	M2	500
10037BB0133.0	33,0	Ø 5,0	M2	M2	500
10037BB0134.0	34,0	Ø 5,0	M2	M2	500
10037BB0135.0	35,0	Ø 5,0	M2	M2	500
10037BB0136.0	36,0	Ø 5,0	M2	M2	500
10037BB0137.0	37,0	Ø 5,0	M2	M2	500
10037BB0138.0	38,0	Ø 5,0	M2	M2	500
10037BB0139.0	39,0	Ø 5,0	M2	M2	500
10037BB0140.0	40,0	Ø 5,0	M2	M2	500
10037BB0141.0	41,0	Ø 5,0	M2	M2	500
10037BB0142.0	42,0	Ø 5,0	M2	M2	500
10037BB0143.0	43,0	Ø 5,0	M2	M2	500
10037BB0144.0	44,0	Ø 5,0	M2	M2	500

Codice	A	B	C	D	Conf./pezzi
10037BB0145.0	45,0	Ø 5,0	M2	M2	500